

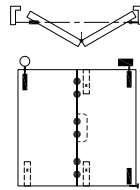
This Guide to Quantities is only applicable to Data Sheet E80.1

### Specification for Individual Panels

Track System	<b>Weatherfold 4s Servedy 35</b>
Refer to Data Sheet	E80.1
Max Panel Height	1800mm
Max Panel Weight	35kg
Max Panel Width	650mm
Min Panel Thickness	35mm
Max Number of Panels	2 each direction

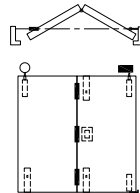
### 2 Panel Timber Unit - Outward Opening

	Quantities	Product Codes
Track	1	120-A20
Pivot Set	1	BWS1F-35H
Hinge Handle Set	1	BW3-35H
End Hanger Set	1	BWS2F-35SH
Flush Bolt Top	1	360
Flush Bolt Bottom	2	360E



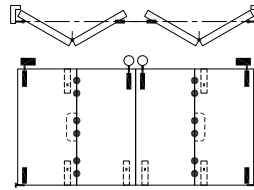
### 2 Panel Timber Unit - Inward Opening

	Quantities	Product Codes
Track	1	120-A20
Pivot Set	1	BWS1F-35H
Hinge Set	1	BW5-35H
Flush Pull	1	401
End Hanger Set	1	BWS2F-35SH
Flush Bolt Top	1	360N
Flush Bolt Bottom	2	360E



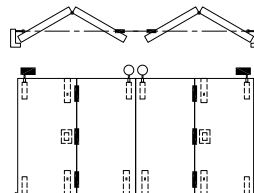
### 2 + 2 Panel Timber Unit - Outward Opening

	Quantities	Product Codes
Track	1	120-A40
Pivot Set	2	BWS1F-35H
Hinge Handle Set	2	BW3-35H
Meeting Hanger Set	2	BWS2F-35SM
Flush Bolt Top	2	360
Flush Bolt Bottom	4	360E



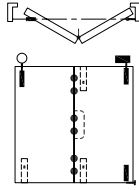
### 2 + 2 Panel Timber Unit - Inward Opening

	Quantities	Product Codes
Track	1	120-A40
Pivot Set	2	BWS1F-35H
Hinge Set	2	BW5-35H
Flush Pull	2	401
Meeting Hanger Set	2	BWS2F-35SM
Flush Bolt Top	2	360N
Flush Bolt Bottom	4	360E



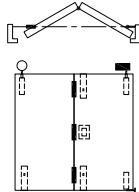
### 2 Panel Aluminium Unit - Outward Opening

	Quantities	Product Codes
Track	1	120-A20
Pivot Set	1	BWS1F-35H
Hinge Handle Set	1	BW3-35H
End Hanger Set	1	BWS2F-35SH
Flush Bolt Top	1	512
Flush Bolt Bottom	2	512E



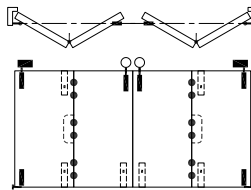
### 2 Panel Aluminium Unit - Inward Opening

	Quantities	Product Codes
Track	1	120-A20
Pivot Set	1	BWS1F-35H
Hinge Set	1	BW5-35H
Flush Pull	1	by others
End Hanger Set	1	BWS2F-35SH
Flush Bolt Top	1	512
Flush Bolt Bottom	2	512E



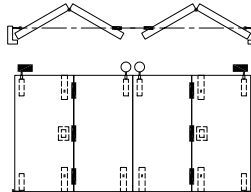
### 2 + 2 Panel Aluminium Unit - Outward Opening

	Quantities	Product Codes
Track	1	120-A40
Pivot Set	2	BWS1F-35H
Hinge Handle Set	2	BW3-35H
Meeting Hanger Set	2	BWS2F-35SH
Flush Bolt Top	2	512
Flush Bolt Bottom	4	512E



### 2 + 2 Panel Aluminium Unit - Inward Opening

	Quantities	Product Codes
Track	1	120-A40
Pivot Set	2	BWS1F-35H
Hinge Set	2	BW5-35H
Flush Pull	2	by others
Meeting Hanger Set	2	BWS2F-35SH
Flush Bolt Top	2	512
Flush Bolt Bottom	4	512E



### Application

For residential and commercial folding windows where weatherproofing of the opening is required.

Weatherfold Servery 35 hardware is suitable for timber and aluminium systems.

Weatherfold Servery hangers are cast 316 marine grade stainless steel with precision stainless steel bearings and nylon wheels.

### Panel Specification

Track System:	Weatherfold 4s Servery 35
Max Panel Height	1800mm
Max Panel Weight	35kg
Max Panel Width	650mm
Min Panel Thickness	35mm
Max Number of Panels	2 each direction

### Hardware Specification

<b>Track:</b>	120
Material	Aluminium, Mill or Clear Anodised
Standard Lengths	2000mm, 3000mm, 4000mm and 6000mm

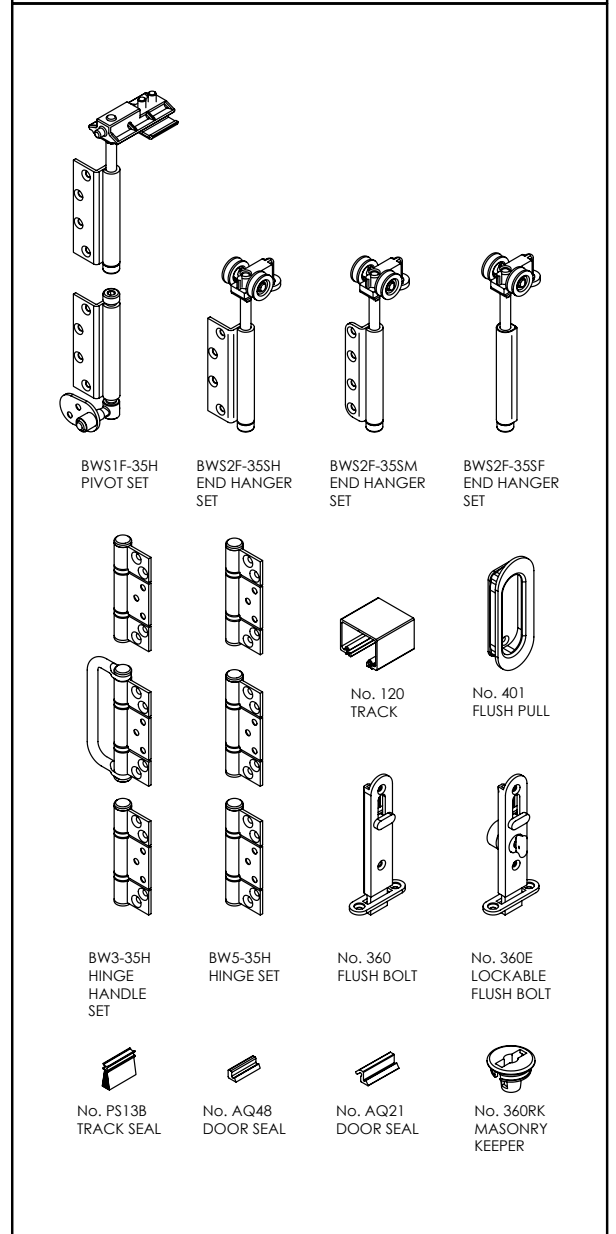
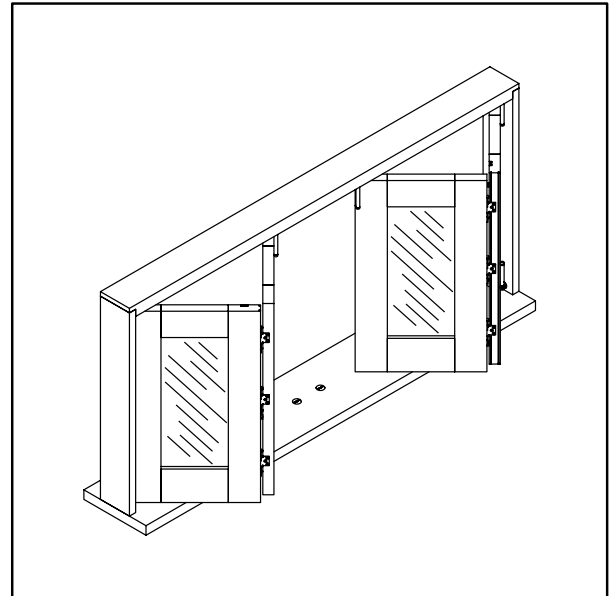
<b>Hanger Sets:</b>	
End Hanger - Aluminium	BWS2F-35SH
End Hanger - Timber	BWS2F-35SM

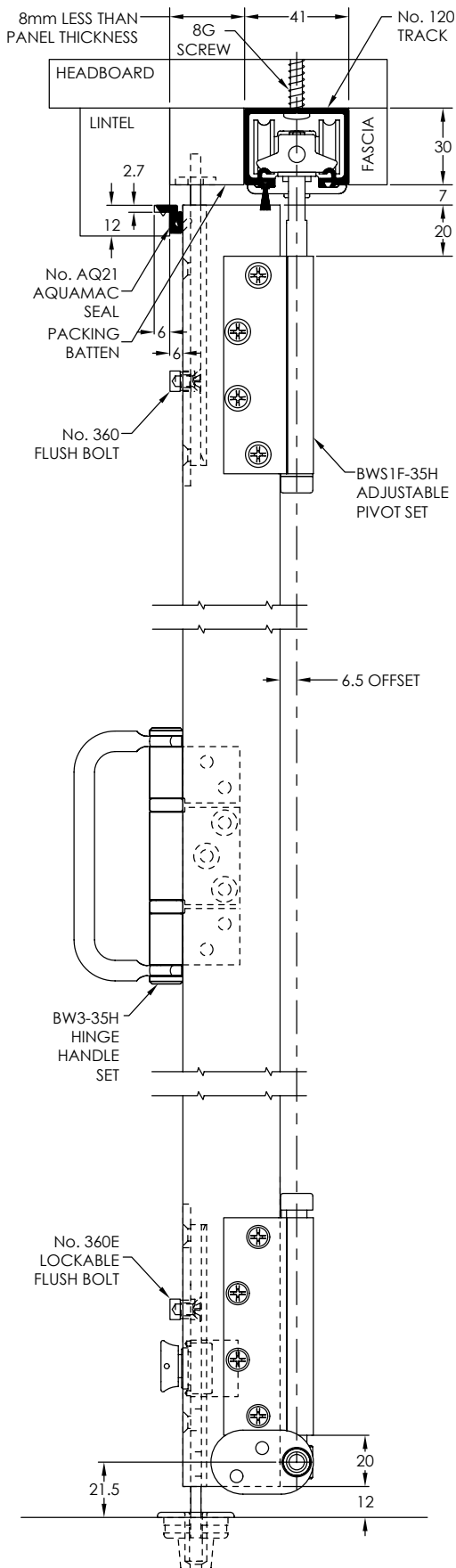
<b>Pivot Sets:</b>	
Top and Jamb Pivots	BWS1F-35H

<b>Hinge Sets:</b>	
Hinge Handle Set	BW3-35H
Hinge Set	BW5-35H

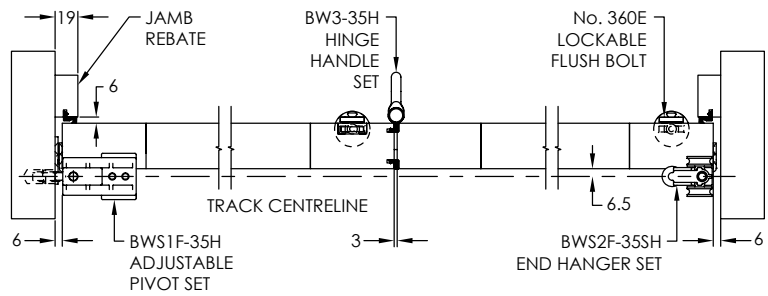
<b>Accessories:</b>	
Flush Pull	401
Flush Bolt Window Standard	360
Flush Bolt Window Lockable	360E
Flush Bolt Window Necked	360N
Flush Bolt Window Long	360L
Masonry Keeper	360RK
Flush Bolt - Aluminium	512
Flush Bolt - Lockable Aluminium	512E
Frame Seal	AQ21
Window Seal	AQ48
Track Seal	PS13B

**Finish options**  
 Hardware: (SS) Satin Stainless, (PS) Polished Stainless  
 Flush bolts: 360 (SN) Satin Nickel, (PN) Polished Nickel, 512 (SS) Satin Stainless Steel

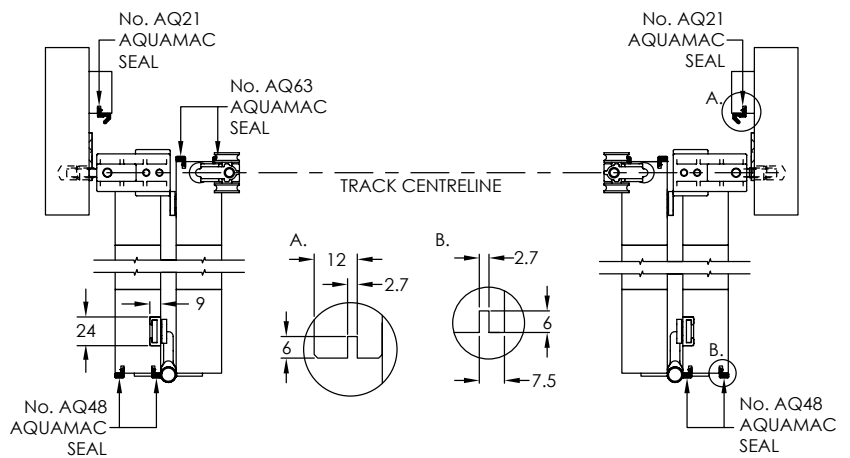




**2+0 PANEL OUTWARD OPENING SYSTEM - CLOSED**  
(SHOWN WITHOUT TRACK OR HEAD SECTION)



**2+2 PANEL OUTWARD OPENING SYSTEM - OPEN**  
(SHOWN WITHOUT TRACK OR HEAD SECTION)



**2+2 PANEL OUTWARD OPENING SYSTEM - CLOSED**  
(TYPICAL OUTSIDE ELEVATION)

