

Application

Brio's XY adjustable hinge is ideal for French Doors made of aluminium or timber in residential and commercial applications.

Discreet, surface fix design allows quick and easy installation and easy height adjustment without the need for removing the panel from the opening.

Hinge set can also be used on Weatherfold system pivot doors for hinge to jamb applications.

Panel Specification

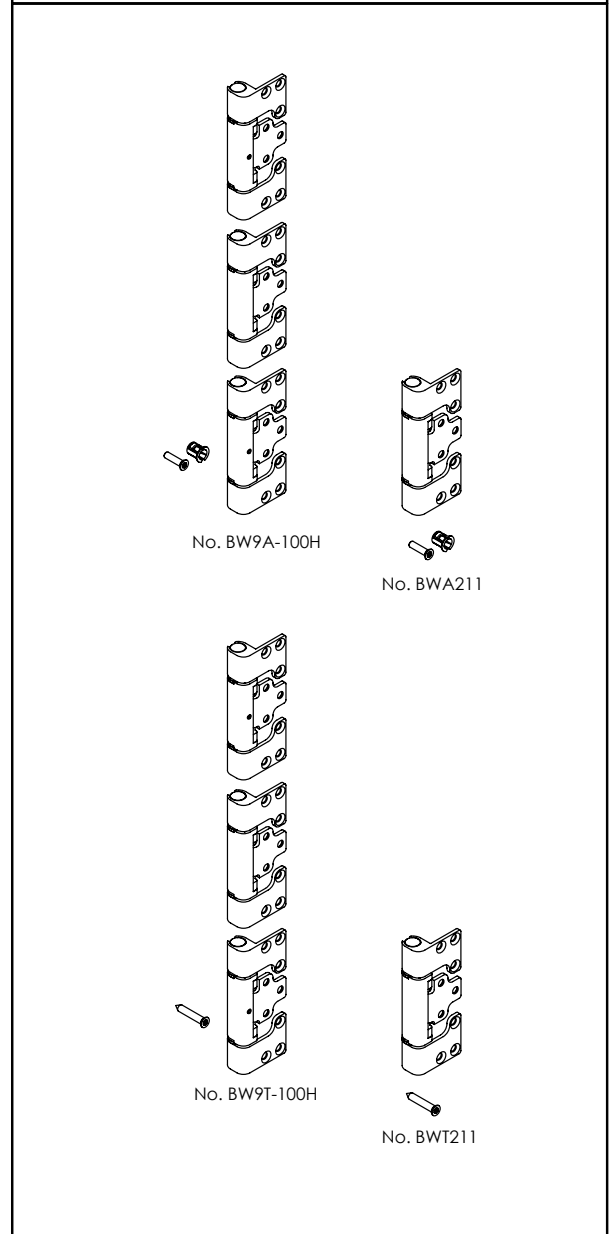
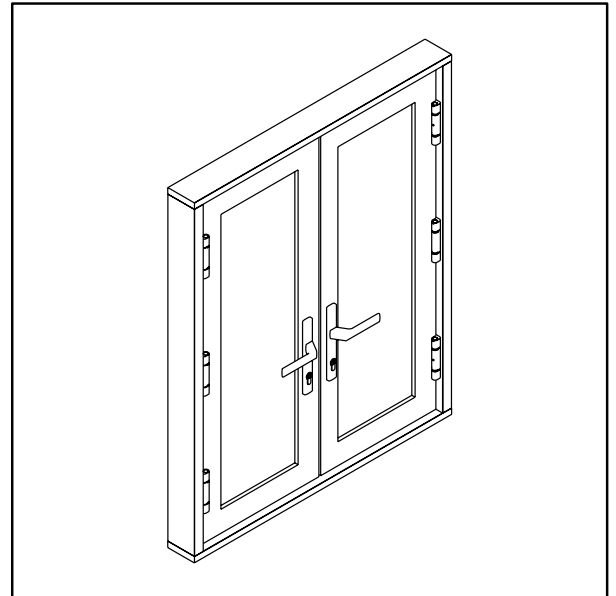
Material	Stainless Steel
Max Panel Height	3300mm
Max Panel Weight	100kg
Max Panel Width	1200mm
Min Panel Thickness	35mm

Standard Sets

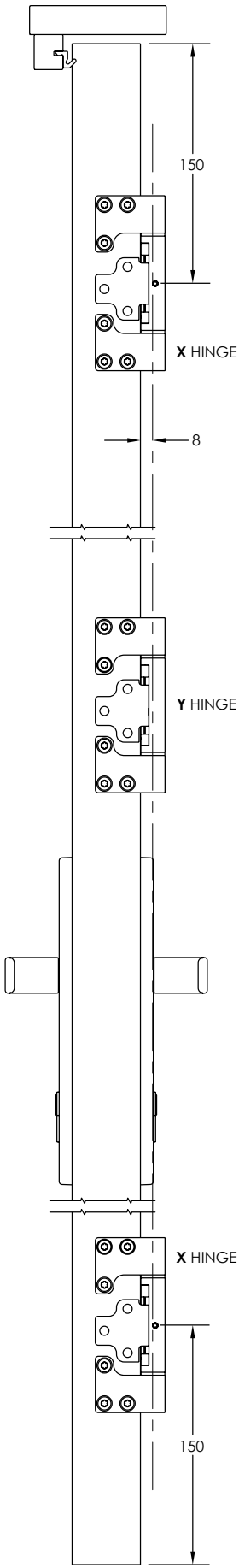
Set No.	Contents
BW9A-100H	SS Vertical Hinge, 2 Horizontal Hinges with Alum. Fixings
BW9T-100H	SS Vertical Hinge, 2 Horizontal Hinges with Timber Fixings

Individual Hinges

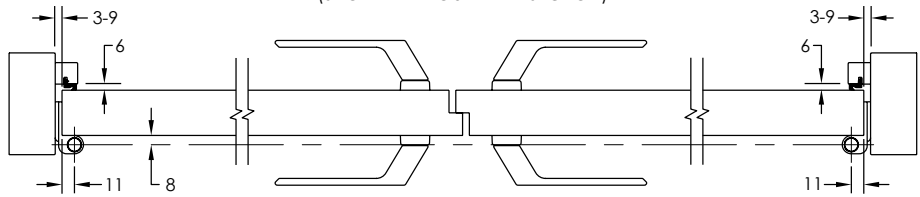
BWA211H	SS Vertical Hinge with Alum. Fixings
BWT211H	SS Vertical Hinge with Timber Fixings



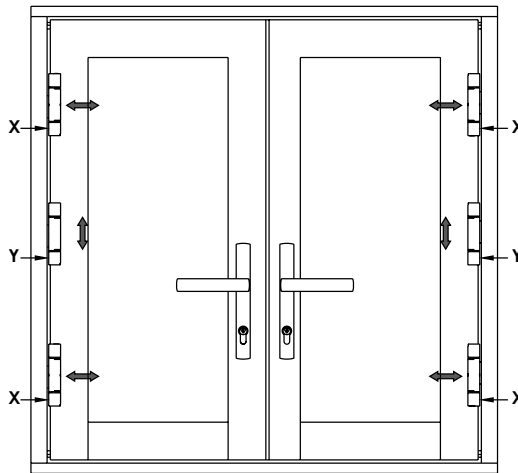
FRENCH DOOR APPLICATION



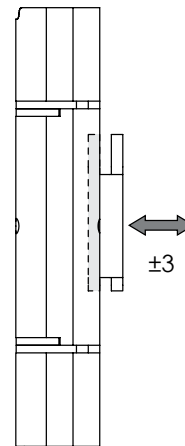
FRENCH DOOR APPLICATION - CLOSED (SHOWN WITHOUT HEAD SECTION)



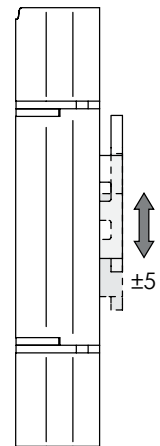
FRENCH DOOR APPLICATION - CLOSED (TYPICAL OUTSIDE ELEVATION)



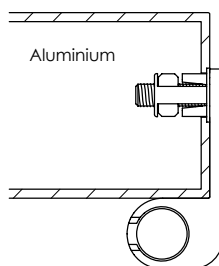
X HINGE HORIZONTAL ADJUSTMENT



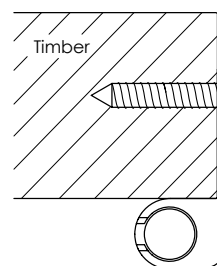
Y HINGE VERTICAL ADJUSTMENT



FIXINGS

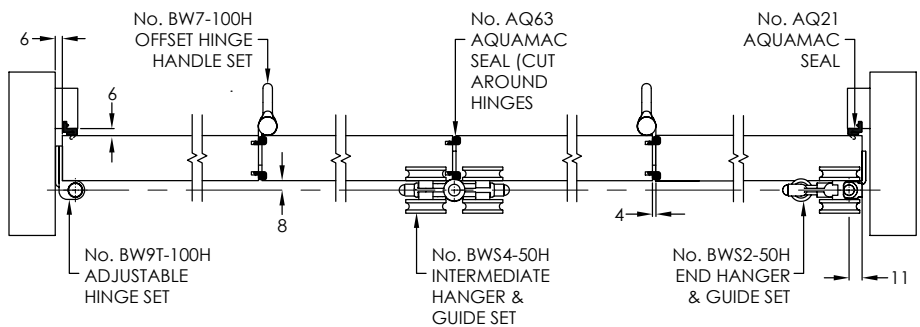


- M5x20 Torx
- M5 Cage nut



- 12g Torx screw

WEATHERFOLD 4+0 PANEL OUTWARD OPENING SYSTEM - CLOSED (SHOWN WITHOUT TRACK OR HEAD SECTION)



WEATHERFOLD 4+0 PANEL OUTWARD OPENING SYSTEM - OPEN (SHOWN WITHOUT HEAD SECTION)

