

### Applications

Brio's Open Round Rail Glass is an ideal internal system for residential and commercial applications of toughened glass panels with exposed hangers and rail.

Open Round Rail Glass 100 hangers are 304 stainless steel with precision bearings.

### Panel Specification

Track System:	Open Round Rail Glass 100
For Individual Panels:	
Max Panel Height	3000mm
Max Panel Width	2000mm
Max Panel Weight	100kg
Panel Thickness	8-12mm

### Standard Packs

Packs include hangers, door stops, guide, handle, brackets and fixings.

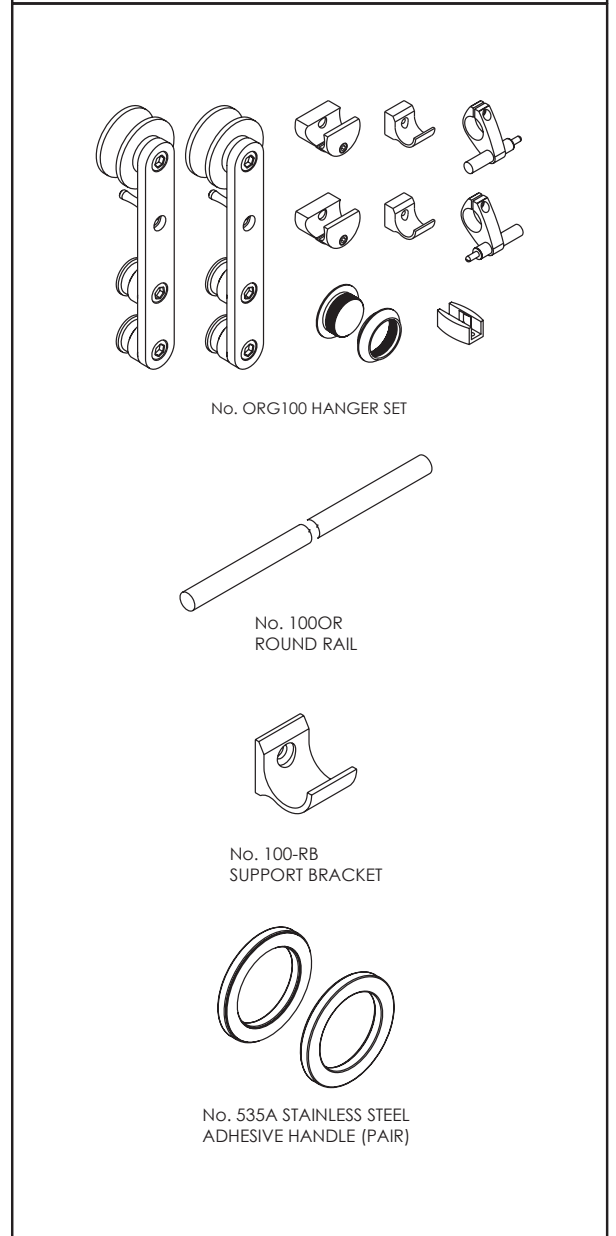
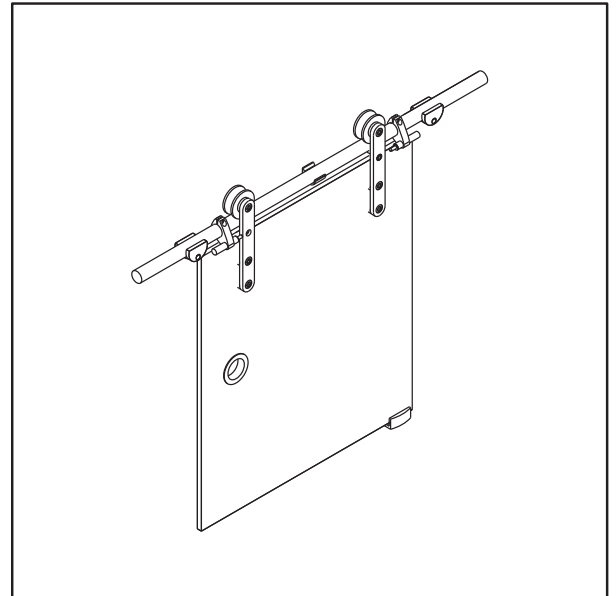
Pack No.	Finishes
ORG100	Stainless Steel
ORG100PR	PVD Black

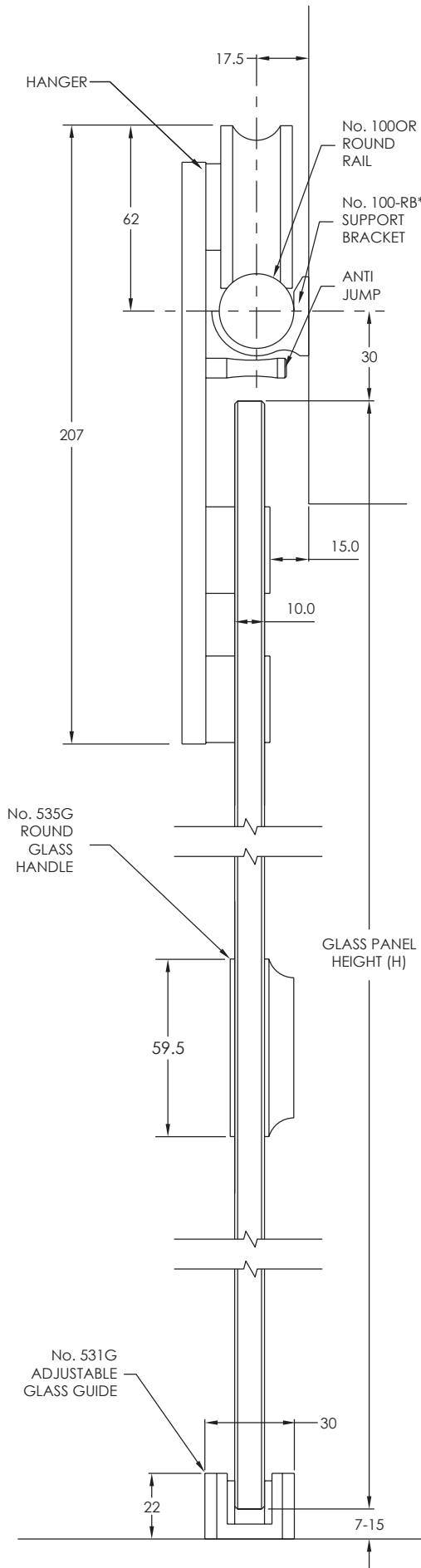
### Hardware Specification

Track:	100OR
Material	Stainless Steel
Standard lengths	2000mm, 2500mm, 3000mm and 4000mm
Finishes	Stainless Steel and PVD Black (except 4000mm)

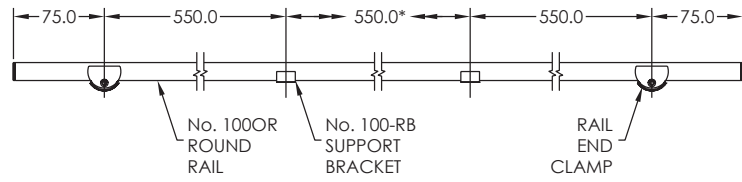
Support Bracket:	100-RB or 100-RBPR
Support bracket	

Accessories:	535A
Handle	
Only available in stainless steel finish	



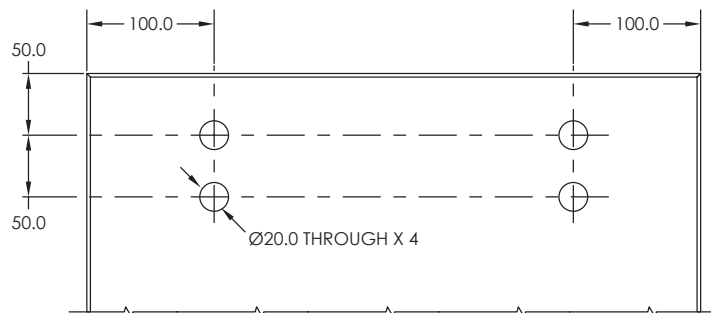


### BRACKET PLACEMENT

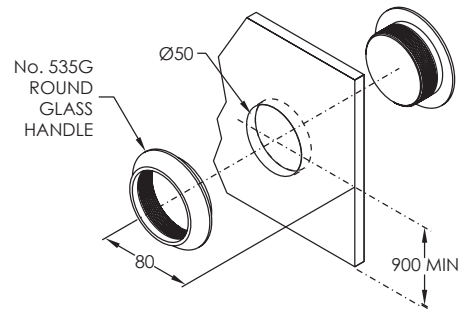


RAIL LENGTH	*ADDITIONAL No. 100-RB REQUIRED
2500mm	1
3000mm	2
4000mm	4

### GLASS PREPARATION

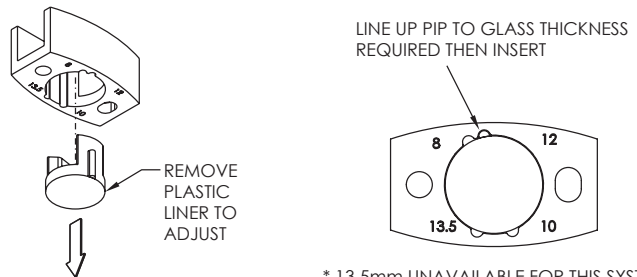


### ROUND GLASS HANDLE



### ADJUSTABLE GLASS GUIDE

CAN BE ADJUSTED TO SUIT 8, 10, 12mm THICK GLASS\*



\* 13.5mm UNAVAILABLE FOR THIS SYSTEM

### GLASS PANEL SIZES

PANEL THICKNESS	MAX AREA	MAX HEIGHT	MAX WIDTH *
8mm (20kg/m <sup>2</sup> )	5m <sup>2</sup>	3m	1.7m
10mm (25kg/m <sup>2</sup> )	4m <sup>2</sup>	3m	1.3m
12mm (30kg/m <sup>2</sup> )	3.3m <sup>2</sup>	3m	1.1m

\* MAX WIDTH INCREASE AS HEIGHT DECREASES