

### Application

Designed to achieve minimal clearances of just 4.5mm between the top edge of the panel and underside of the track concealing all moving parts.

Ideally suited for floor to ceiling straight sliding timber panels in both residential and commercial applications.

Zero Clearance 180 hangers are cast 316 stainless steel with precision bearings suitable for both interior and exterior applications.

### Panel Specification

Track System:	Zero Clearance 180
For Individual Panels:	
Max Panel Height	3000mm
Max Panel Weight	180kg
Min Panel Thickness	40mm

For ease of operation it is recommended that the panel width should not exceed 75% of panel height.

Timber panels for interior use can be flush construction or glazed.

### Hardware Specification

<b>Track:</b>	180
Material	Aluminium
Finish	Mill or clear anodised
Standard lengths	2000mm, 3000mm, 4000mm and 6000mm

<b>Hangers:</b>	Stainless Option
Timber panels	61/GN 61SS/GN

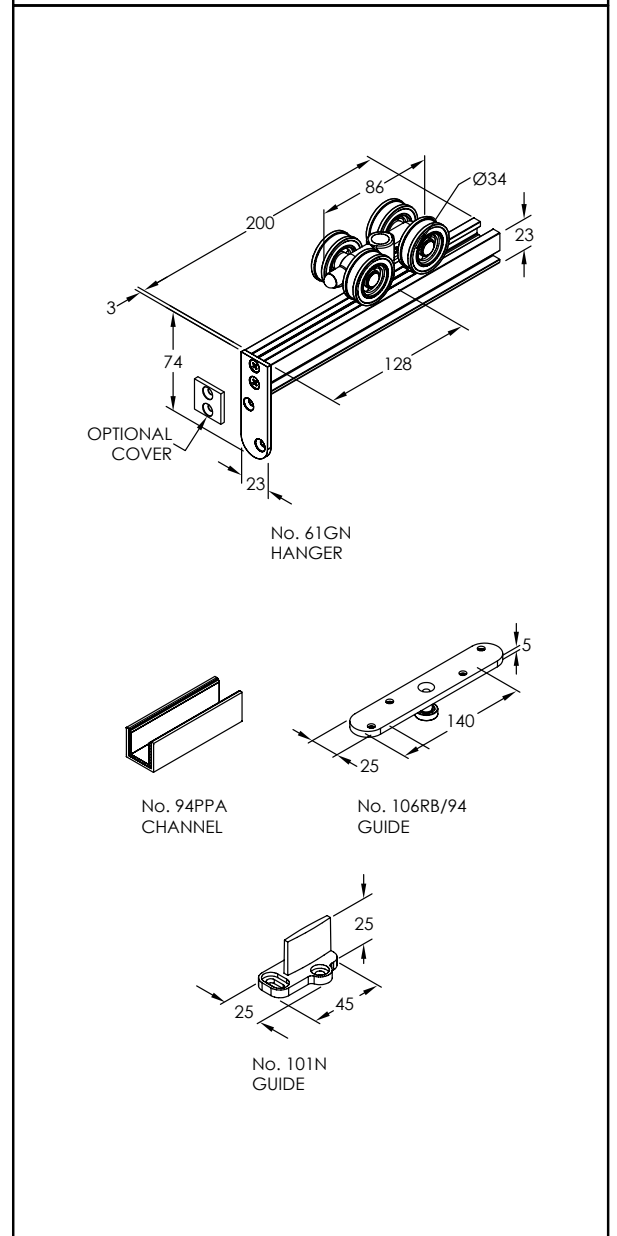
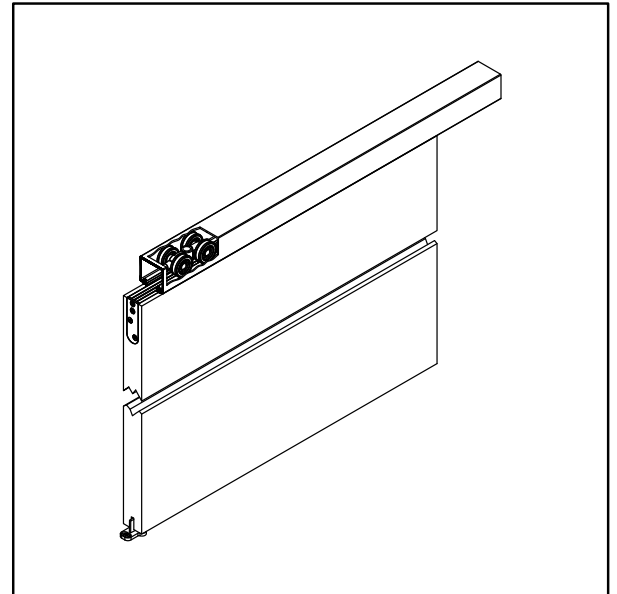
Hanger supplied with timber screws, fixing plate and nylon tyred precision bearings. Vertical adjustment is simple and positive. Nylon tyre wheel hangers should not be used on installations involving temperatures exceeding 80°C.

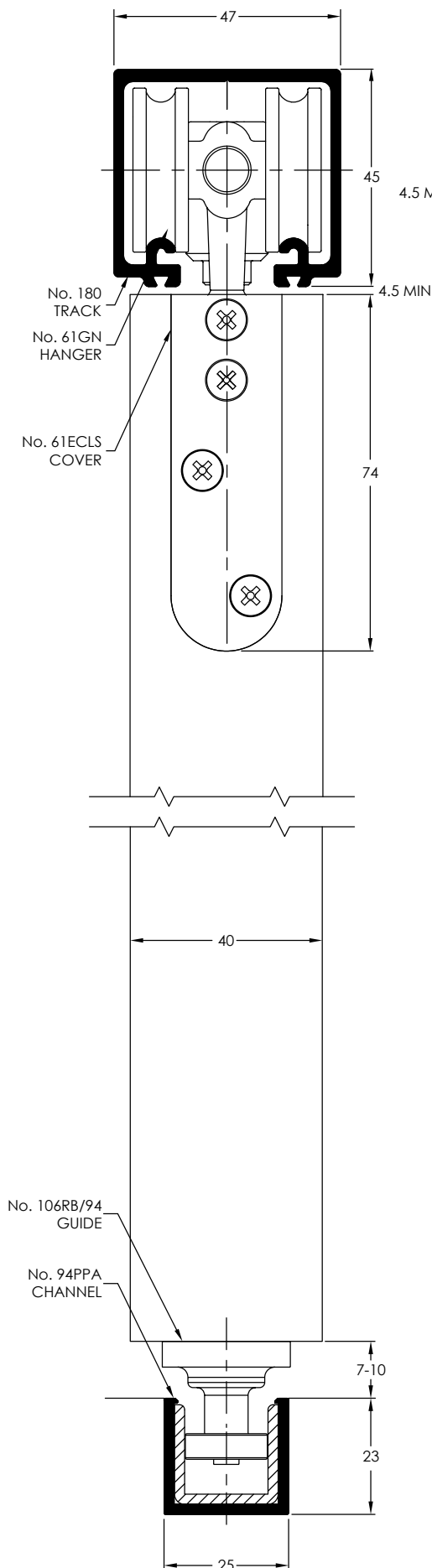
<b>Guides:</b>	
Timber panels - SS plate fitting	106RB/94
Multiple panels	102W/94SS

<b>Channels:</b>	
Aluminium	94A Mill or clear anodised
Aluminium & Polypropylene	94PPA Mill or clear anodised
Brass	94B
Standard lengths	2000mm, 3000mm, 4000mm and 6000mm

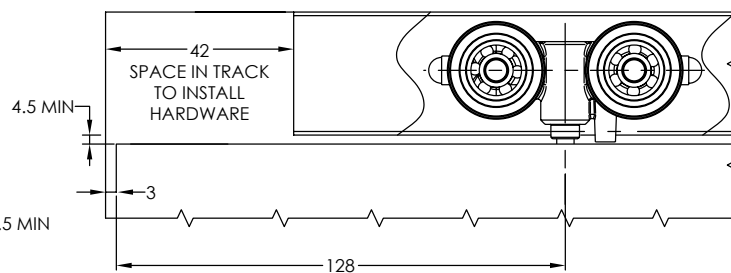
<b>Accessories:</b>	
Door Stop	180DS
Flush Pulls	401
Flush Bolts	456

Flush bolts and flush pulls are available in (PVDB) PVD Brass, (SN) Satin Nickel & (PN) Polished Nickel



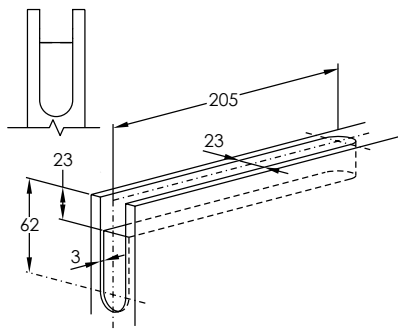


**TRACK FIXING CENTRES**  
 35mm FROM EACH END, THEN FIX AT 400mm INTERVALS

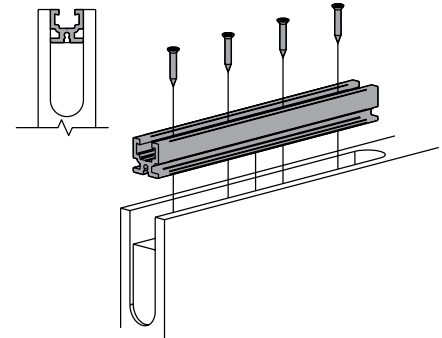


**PANEL PREPARATION AND INSTALLATION**

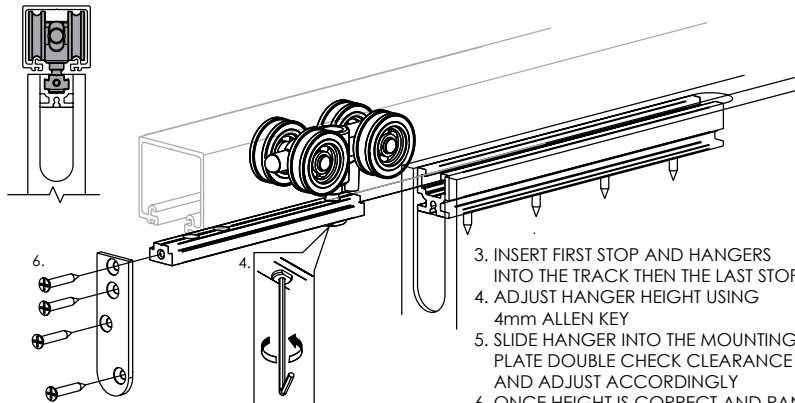
1. PREPARE PANEL FOR MOUNTING PLATE.



2. FIT MOUNTING PLATE WITH SCREWS SUPPLIED



**ASSEMBLY**



**GUIDE OPTION**

