

Application

Suitable for interior sliding timber panels for wardrobes, built-in furniture and other applications where a quiet, smooth action is required.

The double run system for bi-passing panels uses clear anodised or powder coated white aluminium and bottom rollers. Vertical adjustment possible when panels are in situ.

Clean line profiles on the double head guide and sill provide a discreet framing system which also works with an optional soft close. Soft closes ensure panels are stopped gently, protecting little hands from slamming doors.

Panel Specification

Rail System:	Wardrobe Roll 50
For Individual Panels:	
Max Panel Weight	50kg
Max Panel Width	920mm
Panel Thickness	30-40mm

Suitable for use with lightly constructed timber framed panels of flush or panelled construction.

Bottom rail of panel must have provision to accommodate rollers.

Standard Sets and Packs

Sets comprise of double head guide, double sill, sill cover, rollers, guides, all timbers screws and installation instructions.

Set No.	Opening Width	Finish
WR50-12/2PWT	1200mm for 2 panels	Powder coat white
WR50-12/2CA	1200mm for 2 panels	Clear anodised
WR50-15/2PWT	1500mm for 2 panels	Powder coat white
WR50-15/2CA	1500mm for 2 panels	Clear anodised
WR50-18/2PWT	1800mm for 2 panels	Powder coat white
WR50-18/2CA	1800mm for 2 panels	Clear anodised
WR50-24/3PWT	2400mm for 3 panels	Powder coat white
WR50-24/3CA	2400mm for 3 panels	Clear anodised
WR50-30/4PWT	3000mm for 4 panels	Powder coat white
WR50-30/4CA	3000mm for 4 panels	Clear anodised

Pack No.	
WR50-1PK	Pack of fittings only, without aluminium lengths.

Hardware Specification

Double Sill:	53
Material	Aluminium
Finish	Clear anodised or powder coat white
Standard length	5000mm

Sill Cover:	56
Material	Aluminium
Finish	Clear anodised or powder coat white
Standard length	5000mm

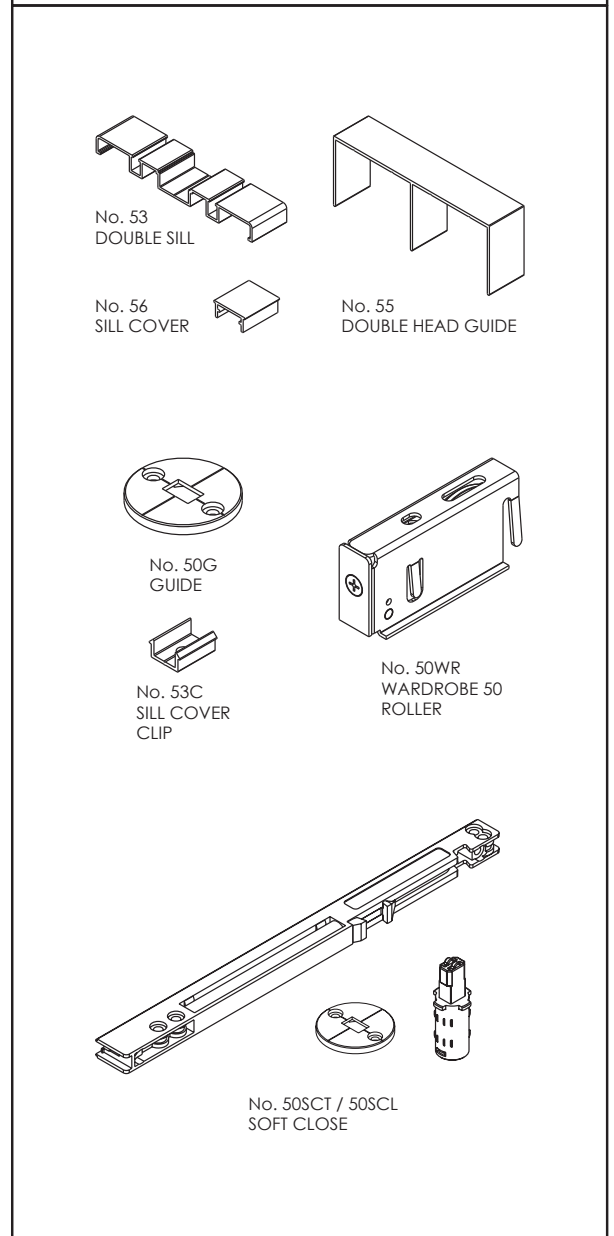
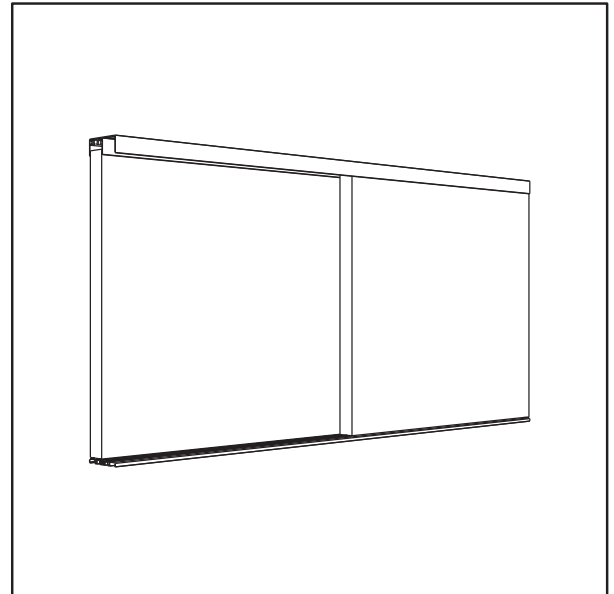
Sill Cover Clip:	53C/8
	Black POM, supplied as a pack of 8 with pan head screws.

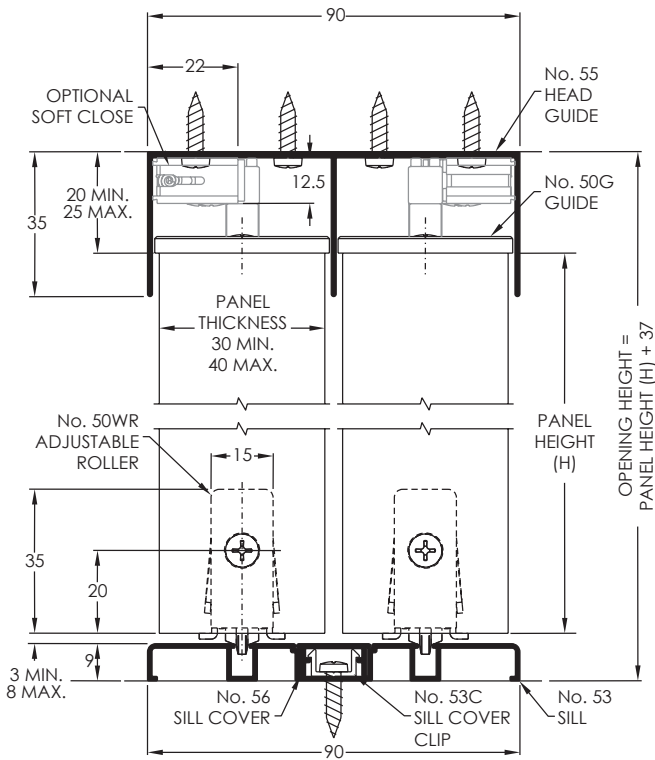
Double Head Guide:	55
Material	Aluminium
Finish	Clear anodised or powder coat white
Standard length	5000mm

Rollers:	50WR
	Mild steel, zinc plated housing with end adjustment. Precision bearing with nylon tyre provides a smooth and quiet action.

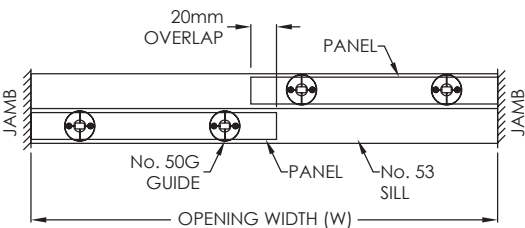
Guides (2 per panel):	50G
	Black POM, surface mounted to top of panel.

Accessories:	
Soft Close Kit - 21-50kg panels	50SCT
Soft Close Kit - up to 20kg panels	50SCL

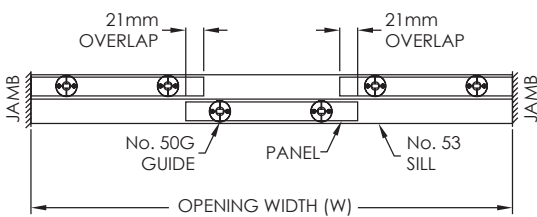




2 PANEL CONFIGURATION



3 PANEL CONFIGURATION



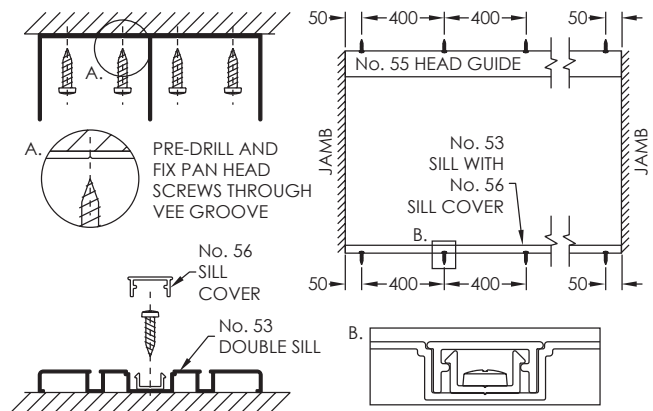
INSTALLATION INSTRUCTIONS

1 Fit Channel and Track

The opening must be finished with suitable jambs or linings and the floor must be level prior to installation of the tracks

Channel length = Opening width
Track length = Opening width

Fix No. 55 double head (50mm in from each end and at 400mm centres) ensuring that it is aligned & parallel to the No. 53 double sill. #6x19 pan head screws fix through No. 53C sill cover clips. Clean away any debris in the track before fitting No. 56 sill cover.



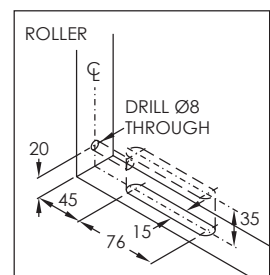
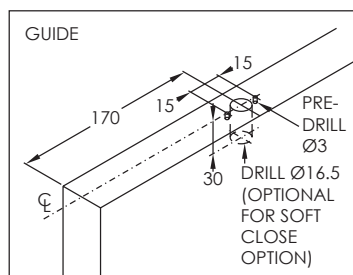
Fixing of No. 55 double head differs if using optional soft close. Information is provided with soft close installation

2 Prepare Panels

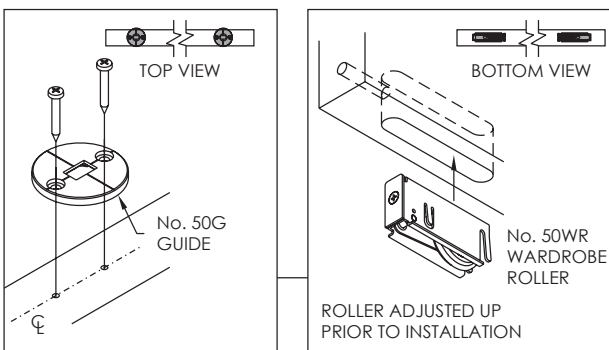
Panel height = Opening height - 37mm

2 panel: Panel width = (Opening width / 2) + 10mm (overlap)

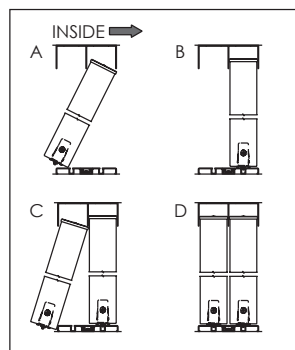
3 panel: Panel width = (Opening width - 3 / 3) + 15mm (overlap)



3 Fitting Hardware



4 Fitting Panel



5 Panel Adjustment

