

Brio® Wardrobe Roll 50kg

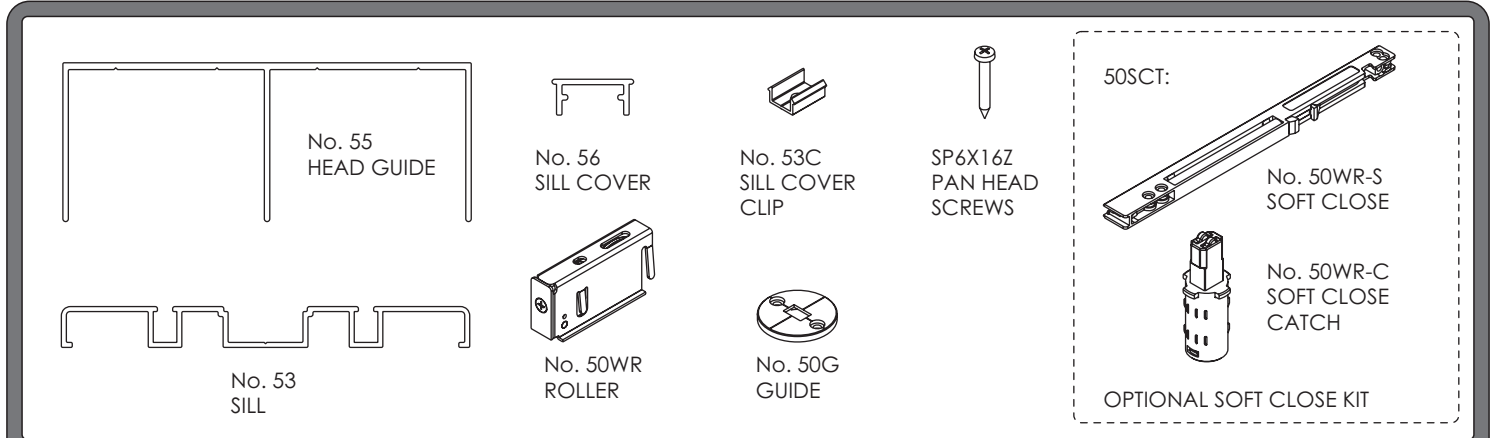
Brio Australia
 P: +61 2 87186718
 W: brio.com.au
 E: brio.sales@allegion.com

Brio NZ
 P: +64 9 829 0550
 W: brionz.com
 E: nzinfo@allegion.com

Brio UK
 P: +44 191 2291224
 W: briouk.com
 E: brio.sales.uk@allegion.com

Brio USA
 P: +1 585 3195599
 W: briousa.com
 E: brio.sales.usa@allegion.com

Pack components



PACKS

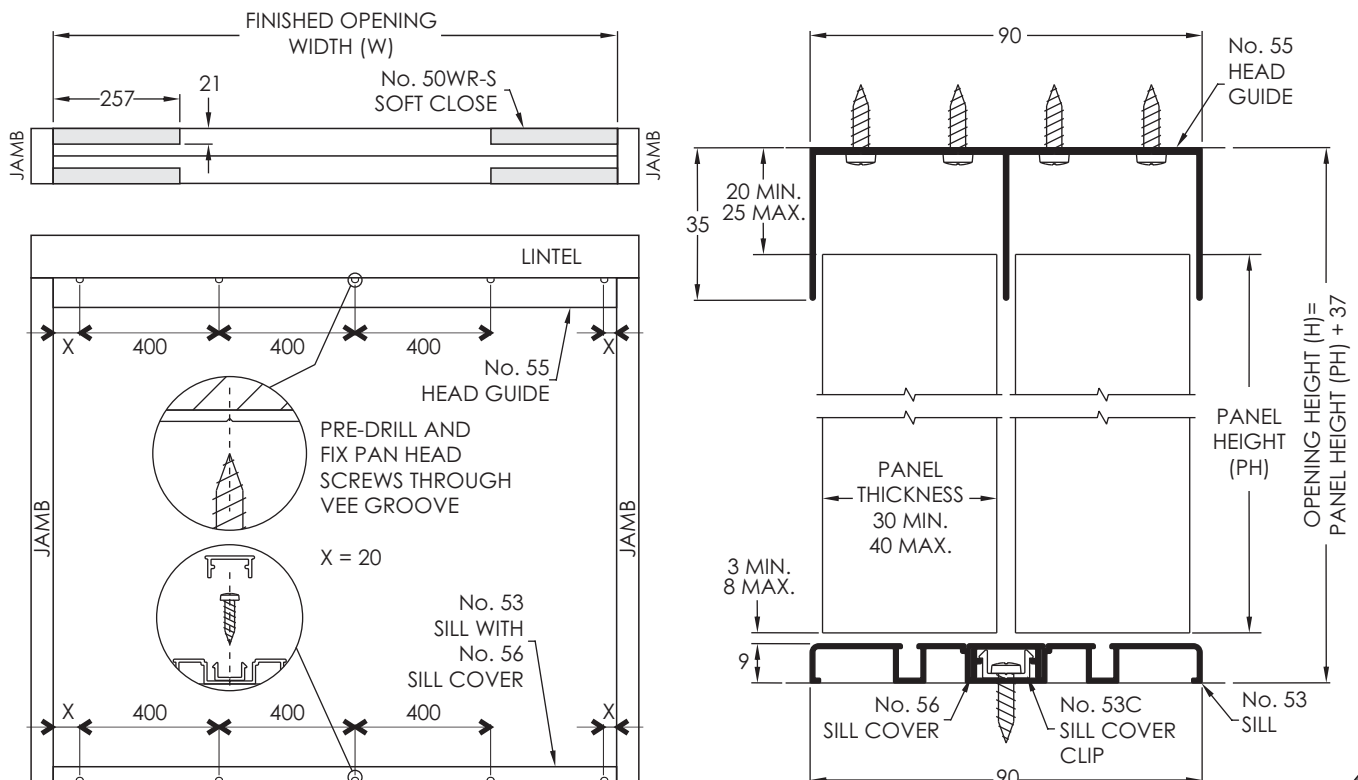
	55	53	56	53C	SP6X16Z	50G	50WR
WR50-12/2*	x1(1200)	x1(1200)	x1(1200)	x4	x18	x4	x4
WR50-15/2*	x1(1500)	x1(1500)	x1(1500)	x5	x21	x4	x4
WR50-18/2*	x1(1800)	x1(1800)	x1(1800)	x6	x24	x4	x4
WR50-24/3*	x1(2400)	x1(2400)	x1(2400)	x7	x31	x6	x6

*Aluminium finishes: PWT = white powdercoat, CA = clear anodised

Head and Sill Preparation

head, sill and sill cover cut to length 'W' (finished opening width)

Screw fixings to be staggered along length, avoiding 257mm from ends of head guide if using soft close

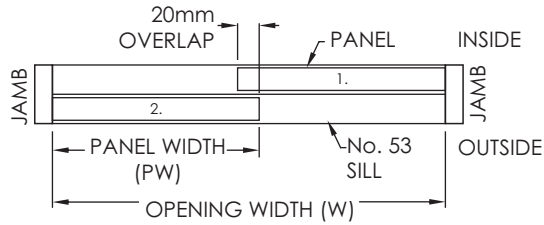


Panel preparation and hardware installation

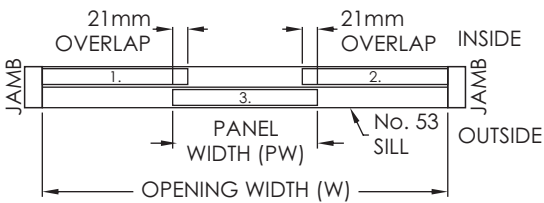
Panel height = Opening height - 37mm
 2 panels: Panel width = (Opening width / 2) + 10mm (overlap)
 3 panels: Panel width = (Opening width - 3 / 3) + 15mm (overlap)

Install panels as per numbered sequence below

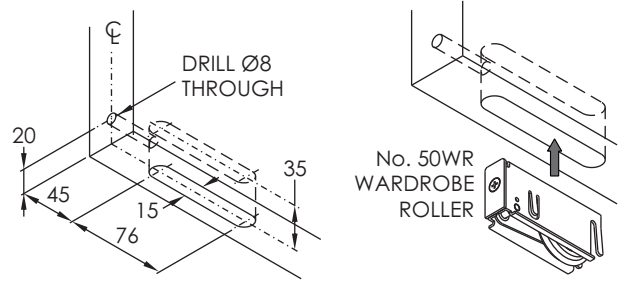
2 PANEL CONFIGURATION



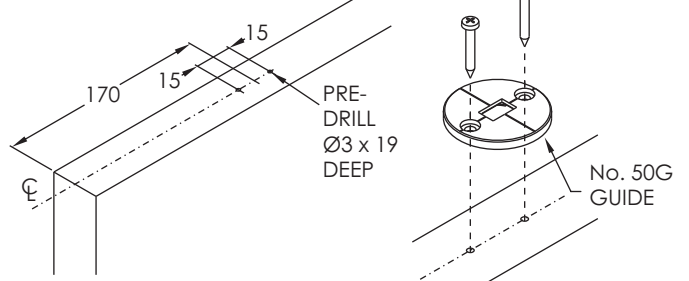
3 PANEL CONFIGURATION



Machine slot and drill adjustment hole for No. 50WR Roller

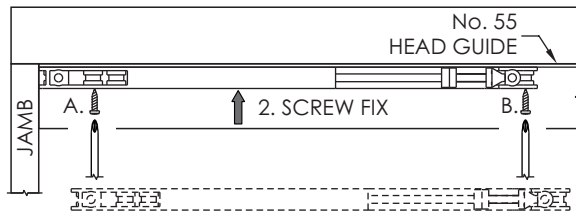
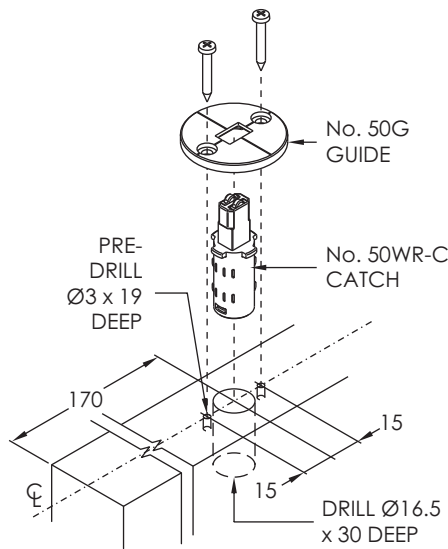


Pre-drill holes for No. 50 Guide



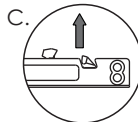
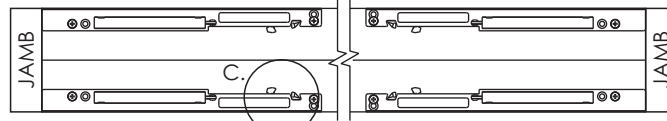
Fitting soft close (optional)

Prepare panels for No. 50WR-C catch and No. 50G guide and fit components. Fit soft close into No. 55 head guide using fixings supplied.

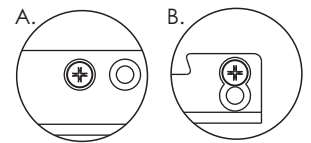


1. SOFT CLOSE TO BE FITTED AGAINST JAMB

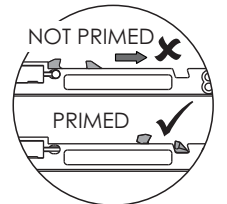
Soft close layout inside No. 55 head guide



Catch of the soft close faces inward when mounting

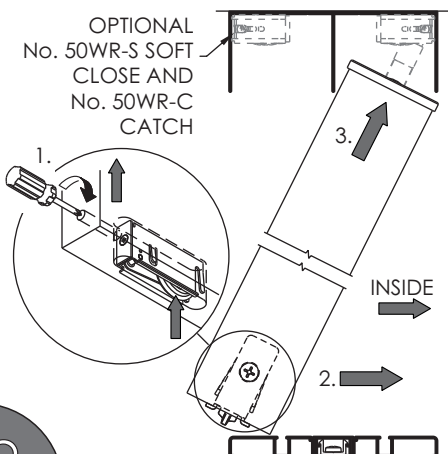


Prime soft closes before installing panels

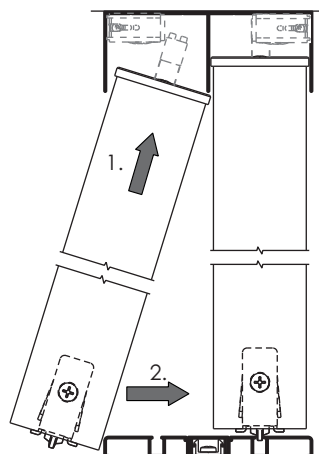


Fitting panels

Adjust rollers up prior to installation.



No. 50WR-C catch does not need to align to No. 50WR-S soft close yet.



Do not slide panel until rollers have been adjusted down. Test panels.

