

Application

Suitable for residential screening of folding windows and doors.

Aluminium frame is available in three standard powder coat colours: black, silver and white. Custom colours are also available upon request.

Assembled with high grade materials to ensure quality is maintained. UV stable pleated mesh and high strength, braided tensioning cords allow the screen to operate smoothly.

Opening Specification

Screen System:	612 Folding Frame
For Individual Screens:	
Max Opening Height	3200mm
Min Opening Height	600mm
Max Opening Width	4500mm
Min Opening Width	900mm

Openings can use two screens in total, one screen in each direction providing a total span of 9000mm wide. Aluminium lengths are supplied in kits, for more information see Data Sheets G30.

Screen heights can be cut down by 200mm to accommodate exact sizes.

Corner applications are also possible.

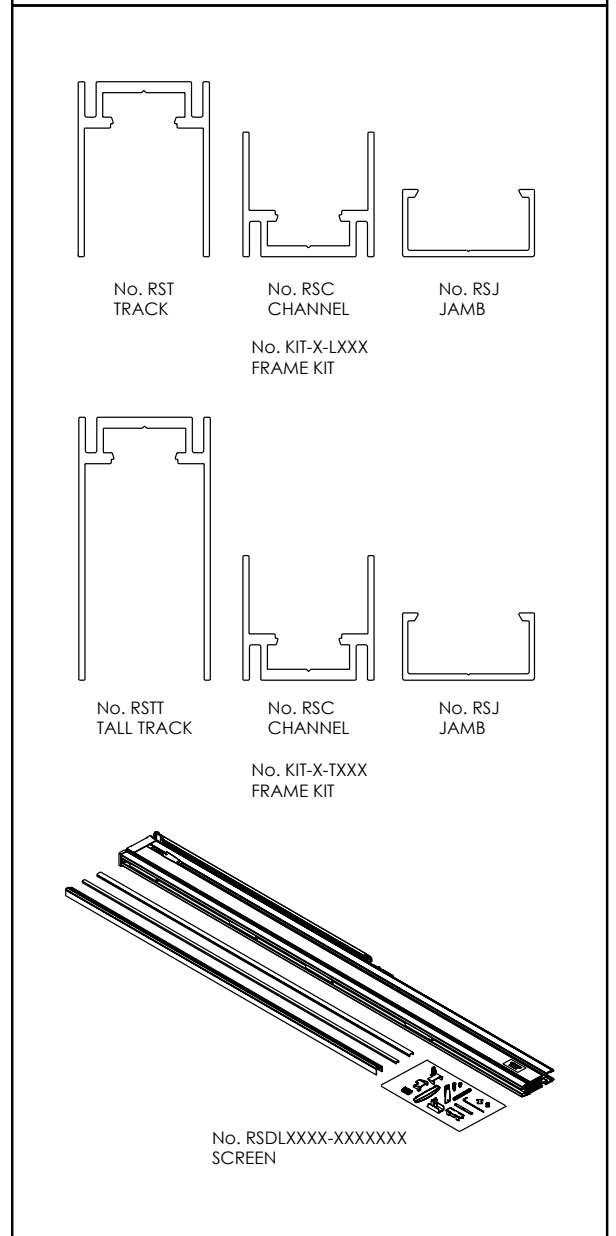
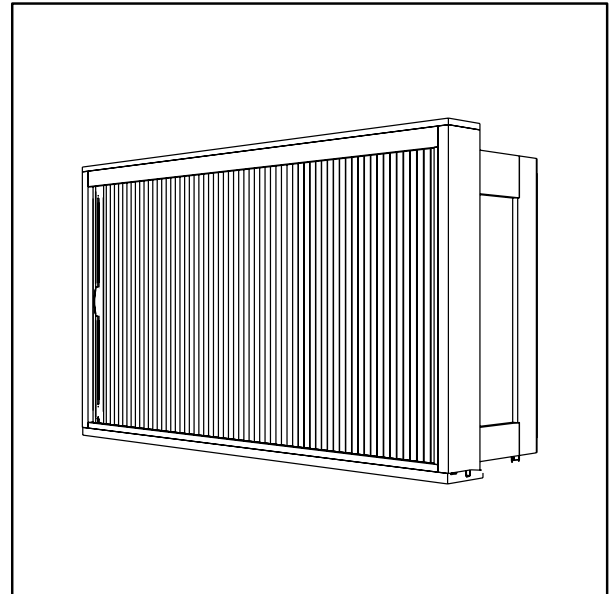
Hardware Specification

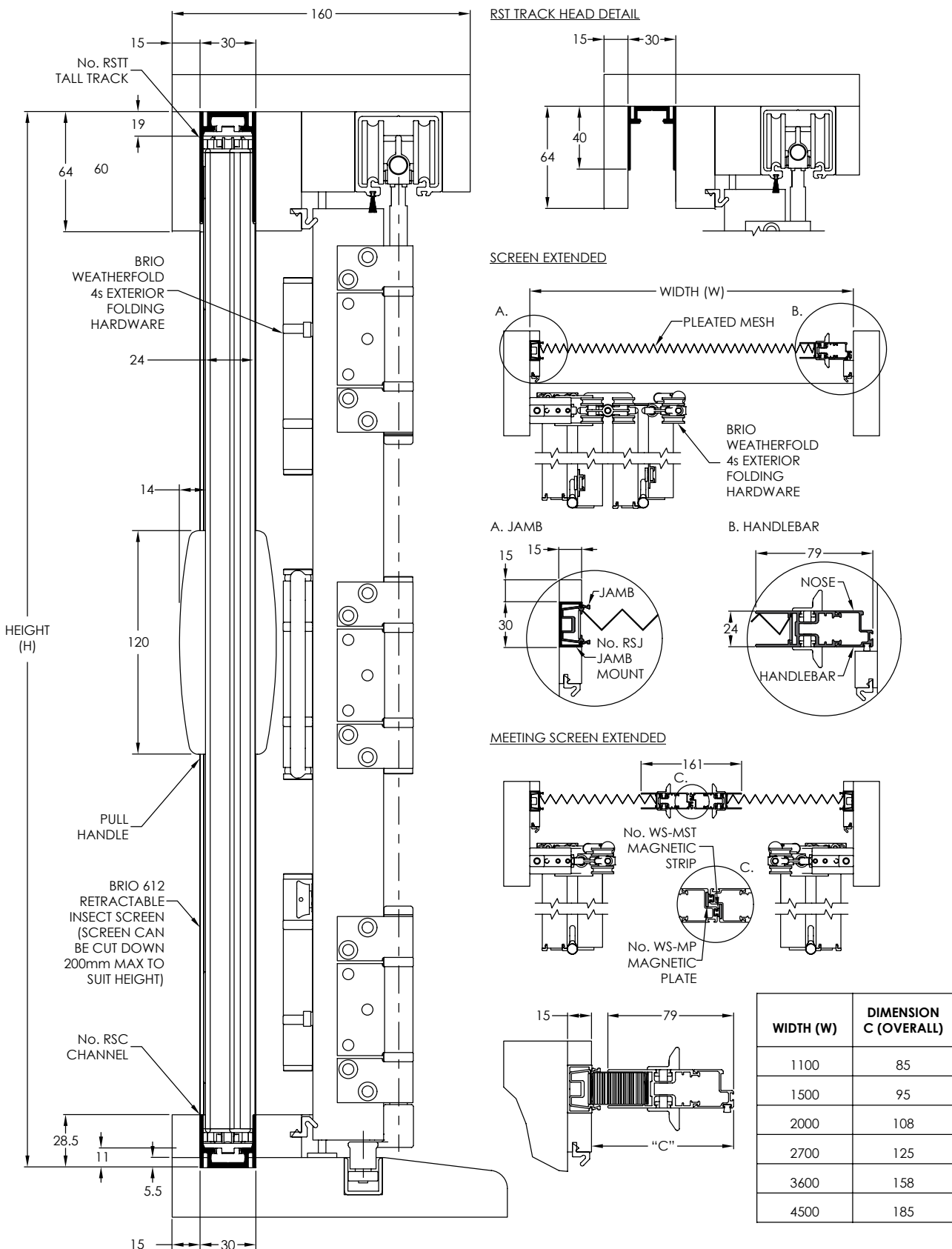
Screen: RSDLXXXX-XXXXXXX
For RSDL sizing codes, see Data Sheet G30.

Channel: RSC
Powder coated aluminium channel.

Track:
Track RST
Powder coated aluminium track, used in KIT-X-LXXX
Tall track RSTT
Powder coated aluminium track, used in KIT-X-TXXX

Jamb Mount: RSJ
Powder coated aluminium jamb mount.





Application

Suitable for residential screening of sliding windows and doors.

Aluminium frame is available in three standard powder coat colours: black, silver and white. Custom colours are also available upon request.

Assembled with high grade materials to ensure quality is maintained. UV stable pleated mesh and high strength, braided tensioning cords allow the screen to operate smoothly.

Opening Specification

Screen System:	612 Sliding Frame
For Individual Screens:	
Max Opening Height	3200mm
Min Opening Height	600mm
Max Opening Width	4500mm
Min Opening Width	900mm

Openings can use two screens in total, one screen in each direction providing a total span of 9000mm wide. Aluminium lengths are supplied in kits, for more information see Data Sheets G30.

Screen heights can be cut down by 200mm to accommodate exact sizes.

Corner applications are also possible.

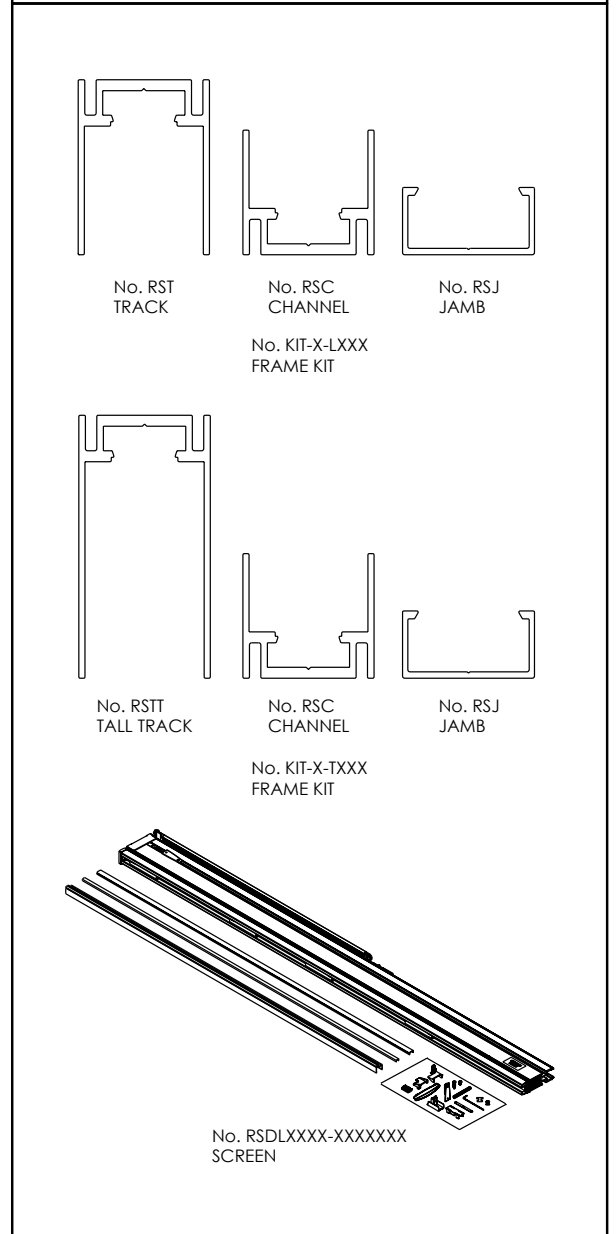
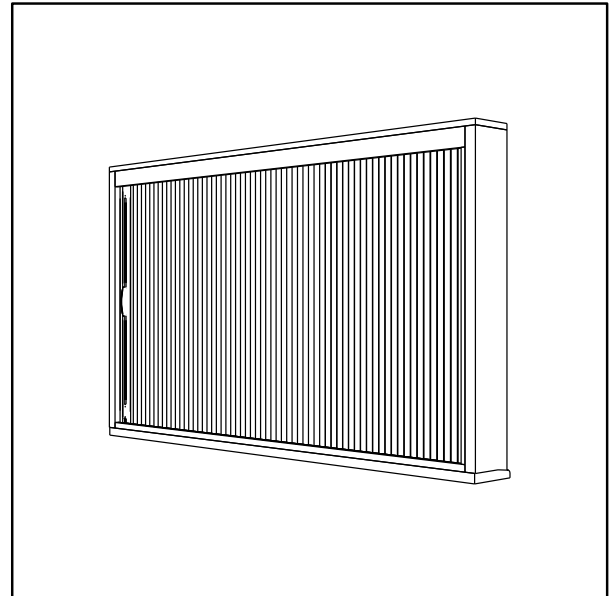
Hardware Specification

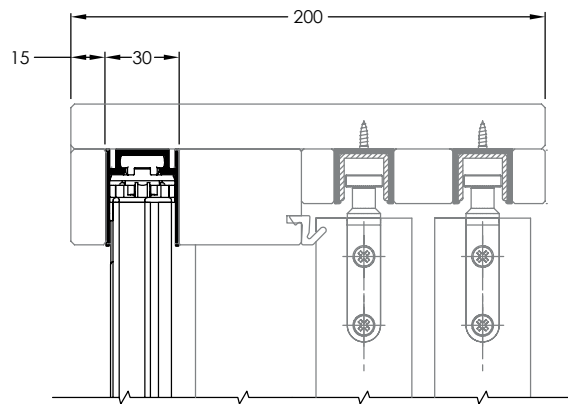
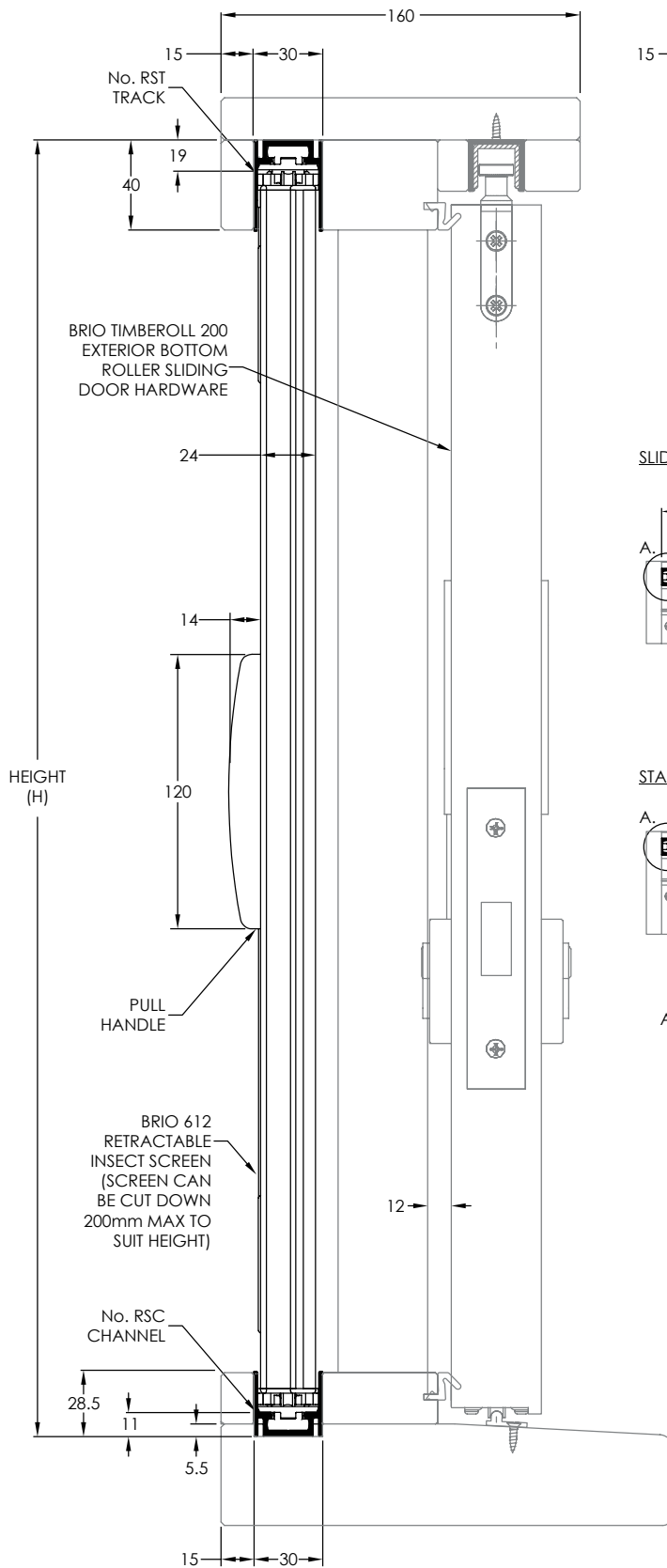
Screen: RSDLXXXX-XXXXXXX
For RSDL sizing codes, see Data Sheet G30.

Channel: RSC
Powder coated aluminium channel.

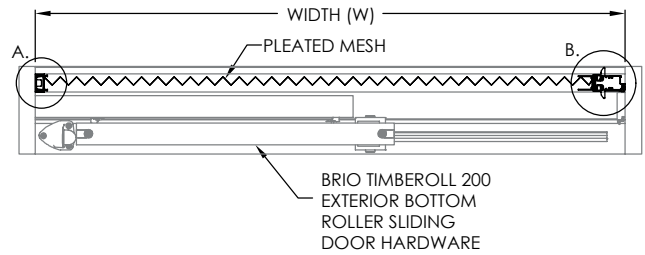
Track:
Track RST
Powder coated aluminium track, used in KIT-X-LXXX
Tall track RSTT
Powder coated aluminium track, used in KIT-X-TXXX

Jamb Mount: RSJ
Powder coated aluminium jamb mount.

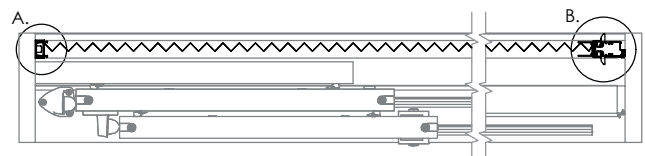




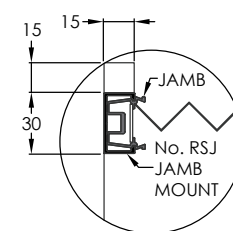
SLIDING DOOR - SCREEN EXTENDED



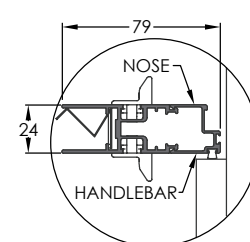
STACKING DOOR - SCREEN EXTENDED



A. JAMB



B. HANDLEBAR



Application

Suitable for residential screening of folding or sliding windows and doors with suitable outer frame for installation.

Aluminium frame is available in three standard powder coat colours: black, silver and white. Custom colours are also available upon request.

Assembled with high grade materials to ensure quality is maintained. UV stable pleated mesh and high strength, braided tensioning cords allow the screen to operate smoothly.

Opening Specification

Screen System:	612 Retrofit Frame
For Individual Screens:	
Max Opening Height	3200mm
Min Opening Height	600mm
Max Opening Width	4500mm
Min Opening Width	900mm

Openings can use two screens in total, one screen in each direction providing a total span of 9000mm wide. Aluminium lengths are supplied in kits, for more information see Data Sheets G30.

Screen heights can be cut down by 200mm to accommodate exact sizes.

Hardware Specification

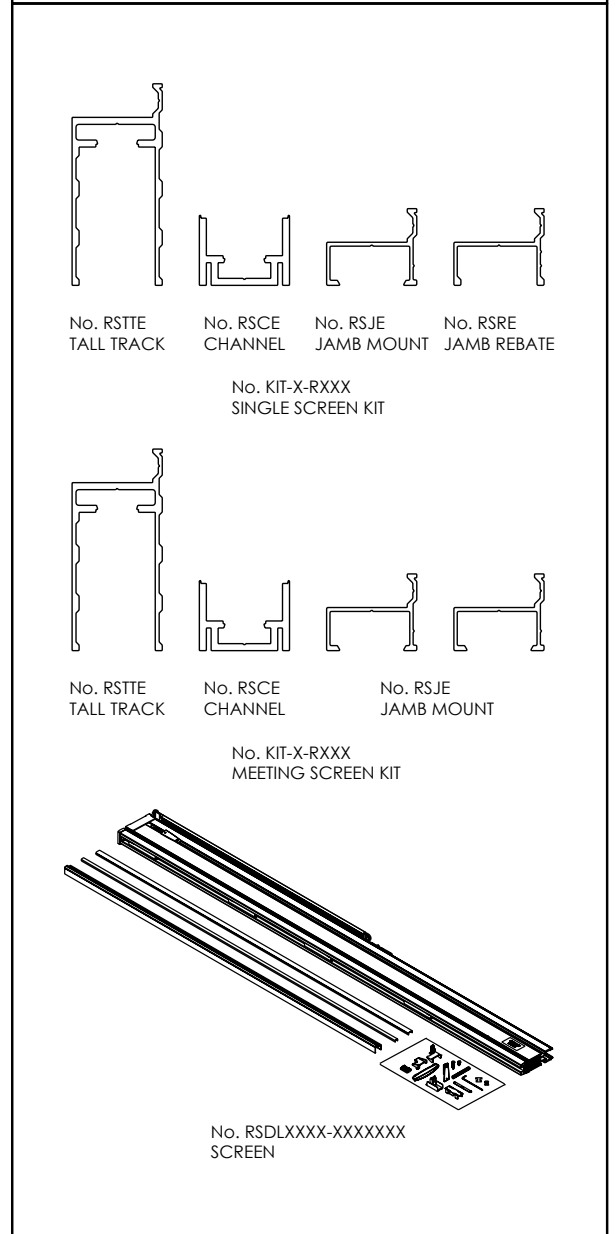
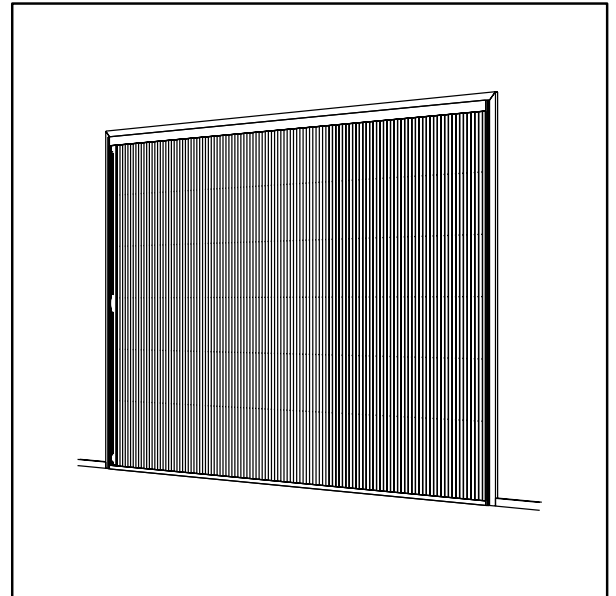
Screen: RSDLXXXX-XXXXXXX
For RSDL sizing codes, see Data Sheet G30.

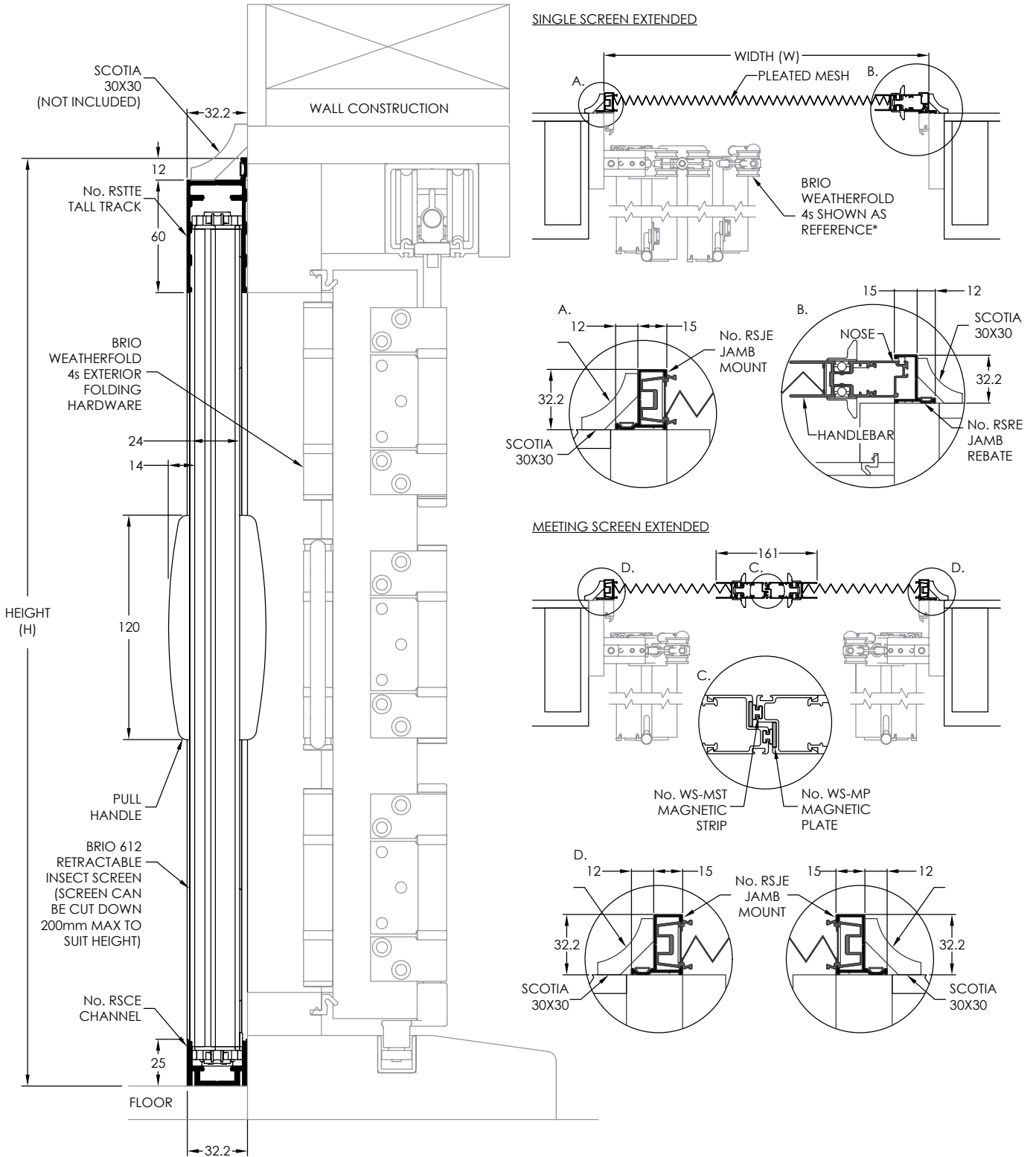
Channel: RSCE
Powder coated aluminium channel with reinforced wall thickness.

Track: RSTTE
Powder coated aluminium track with face fix screw point. Fixings not included.

Jamb Mount: RSJE
Powder coated aluminium jamb mount with face fix screw point. Fixings not included.

Jamb Rebate: RSRE
Powder coated aluminium jamb rebate with face fix screw point. Fixings not included. Jamb rebates not included in meeting retrofit kits.





*RETRO FIT SYSTEMS ARE SUITABLE TO ALL PRE-EXISTING FOLDING OR SLIDING DOOR SYSTEMS WITH SUITABLE OUTER FRAME