

## Application

Widely used in lighter commercial and industrial applications.

To cover any width of opening, any number of panels can be used.

To accommodate different building designs, panels can slide to one or both sides.

Hinged panel for easy access may be incorporated into a sliding system.

Where panels are fitted externally, a canopy is recommended.

## Panel Specification

### Track System:

For Individual Panels:	Single Run 180
Max Panel Height	3000mm
Max Panel Weight	180kg
Min Panel Thickness	35mm

For ease of operation it is recommended that the panel width should not exceed 75% of panel height.

Timber panels for interior use can be of flush construction or glazed. Timber panels for industrial applications should be framed, ledged and braced. Metal panels should be constructed of box section, channel or angle framing, well braced and clad with flat or corrugated sheets.

## Hardware Specification

<b>Track:</b>	180
Material	Aluminium
Finish	Mill or clear anodised
Standard lengths	2000mm, 3000mm, 4000mm and 6000mm

### Brackets:

Face fitted stainless steel angle	1SS/250
Double face fitted bracket SS	5SS/250
Fit at 400mm maximum centres	

### Hangers (2 per panel):

		Stainless Option
Timber panels - angle fitting	52GN	52SS/GN
Timber panels - plate fitting	57GN	57SS/GN
Metal panels - angle frame	56GN	56SS/GN
Metal panels - box frame	56GLN	56SS/GLN
Metal panels - plate fitting	57GN	57SS/GN

Hanger supplied with timber screws, fixing plate and nylon tyred precision bearings. Vertical adjustment is simple and positive. Nylon tyre wheel hangers should not be used on installations involving temperatures exceeding 80°C.

### Guides:

Timber panels - SS plate fitting	106RB/94
Multiple panels	102W/94SS

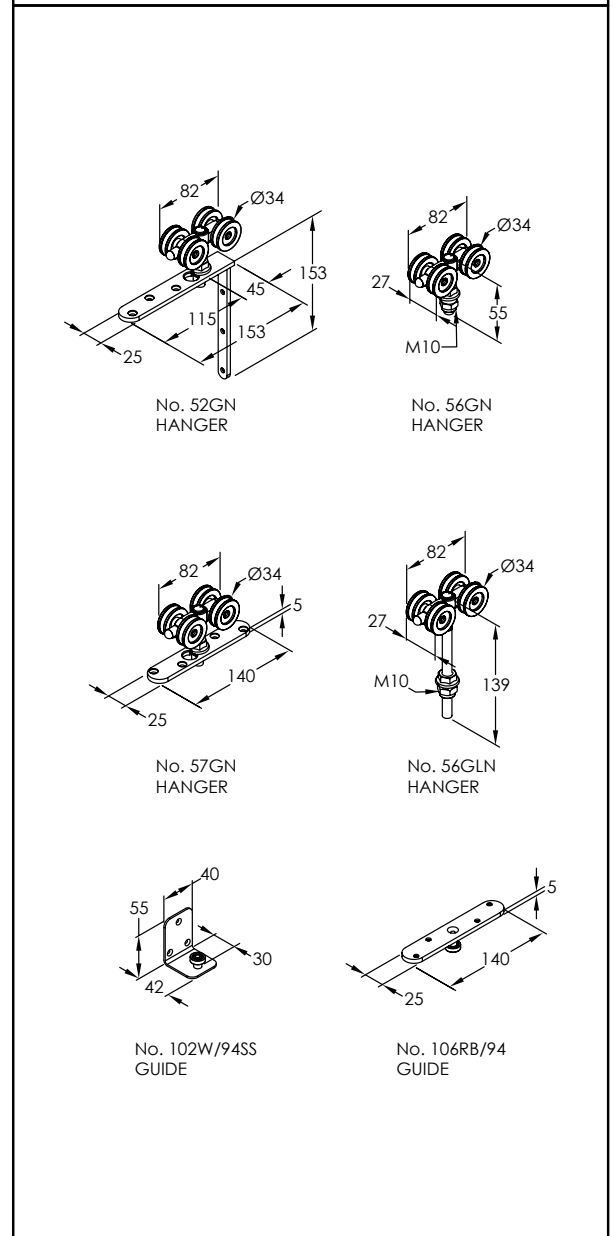
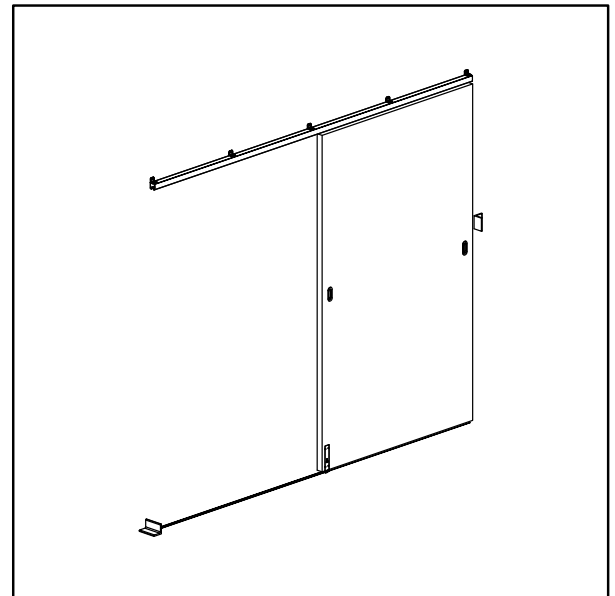
### Channels:

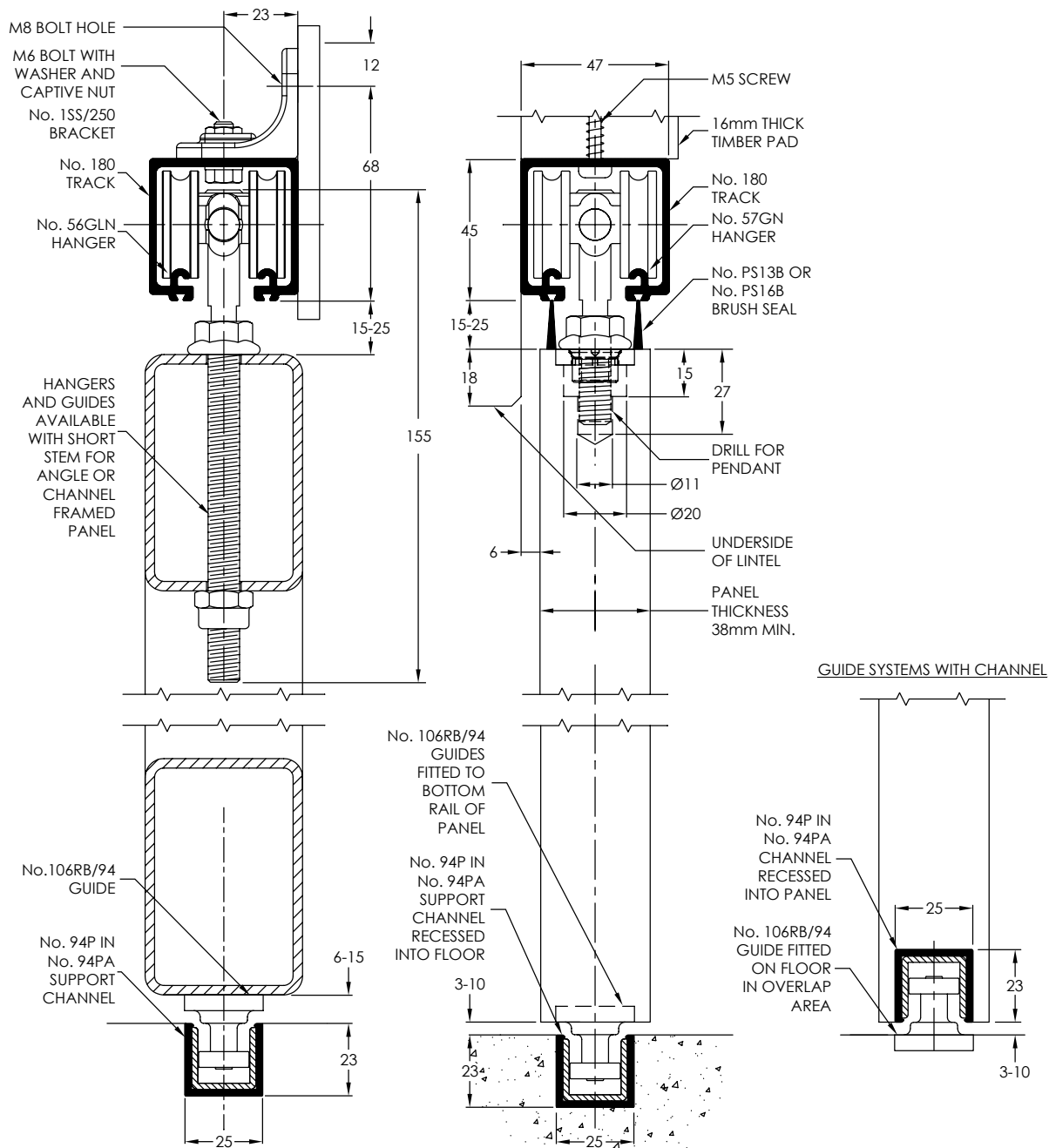
Aluminium	94A Mill or clear anodised
Aluminium & Polypropylene	94PPA Mill or clear anodised
Brass	94B
Standard lengths	2000mm, 3000mm, 4000mm and 6000mm

### Accessories:

Door Stop	180DS
Flush Pulls	401
Flush Bolts	456

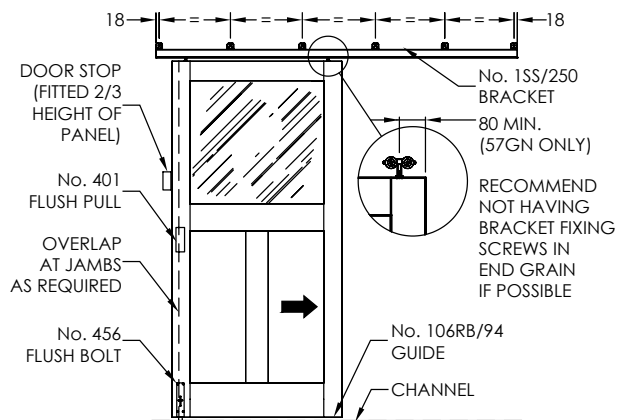
Flush bolts and flush pulls are available in (PVDB) PVD Brass, (SN) Satin Nickel & (PN) Polished Nickel





**HARDWARE PLACEMENT**  
FRONT VIEW (PANEL SLIDING INSIDE)

**BRACKET PLACEMENT**  
18mm TO CENTRE OF FIRST BRACKET FROM EACH END, THEN A BRACKET APPROXIMATELY EVERY 400mm CENTRES.



STANDARD TRACK LENGTH	2000	3000	4000	6000
No. OF BRACKETS	6	9	11	16

