

Brio® X Y Adjustable 2D hinges

Allegion (New Zealand) Limited

P: 0800 477 869

W: allegion.com.nz

brionz.com

E: nzinfo@allegion.com

Codes

BW 9 T - 100 H SS ——— Finish: SS (Satin Stainless)
 ——— Hinge Type: Non-Mortice Hinge
 ——— Load Capacity: 100kg Panels
 ——— Application: A (Aluminium System), T (Wood System)
 ——— Set No.: 9 (Adjustable Hinge Set)

Brio Hinge Set

Sets No finishes shown.

Alu Panels
BW9A-100H



M5x20 Torx x27
M5 Cage nut x27

Wood Panels
BW9T-100H



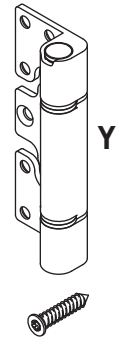
No. 12Gx32 Torx
Wood screw x27

Additional hinge
Alu door
BWA211H



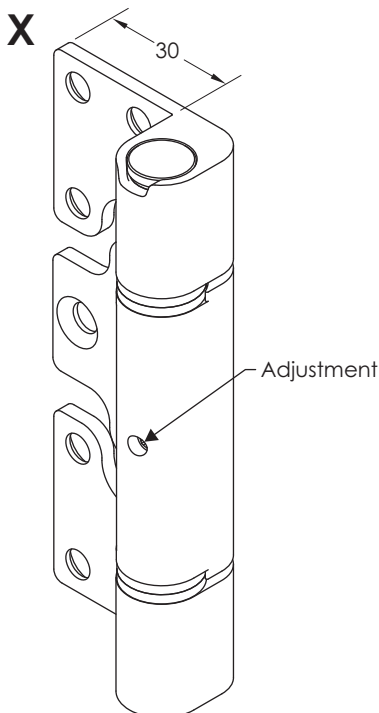
M5x20 Torx x9
M5 Cage nut x9

Additional hinge
Wood door
BWT211H

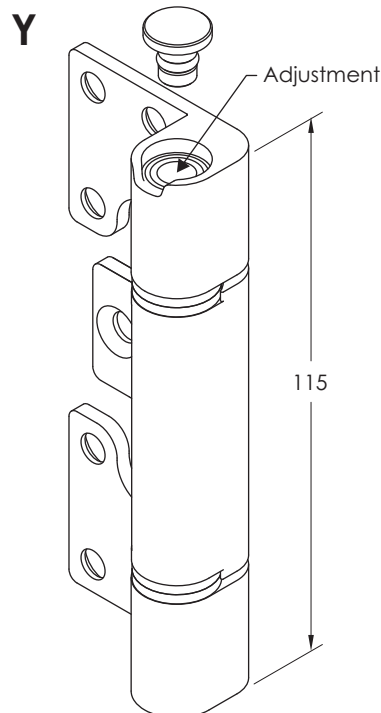


No. 12Gx32 Torx
Wood screw x9

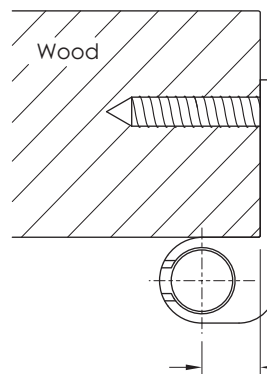
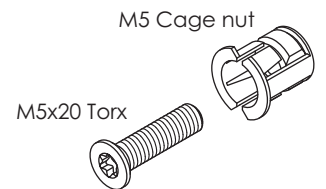
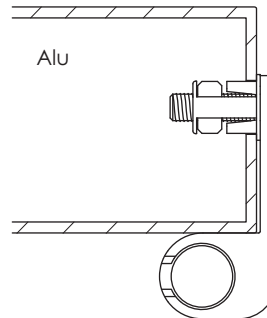
Horizontal x2



Vertical x1



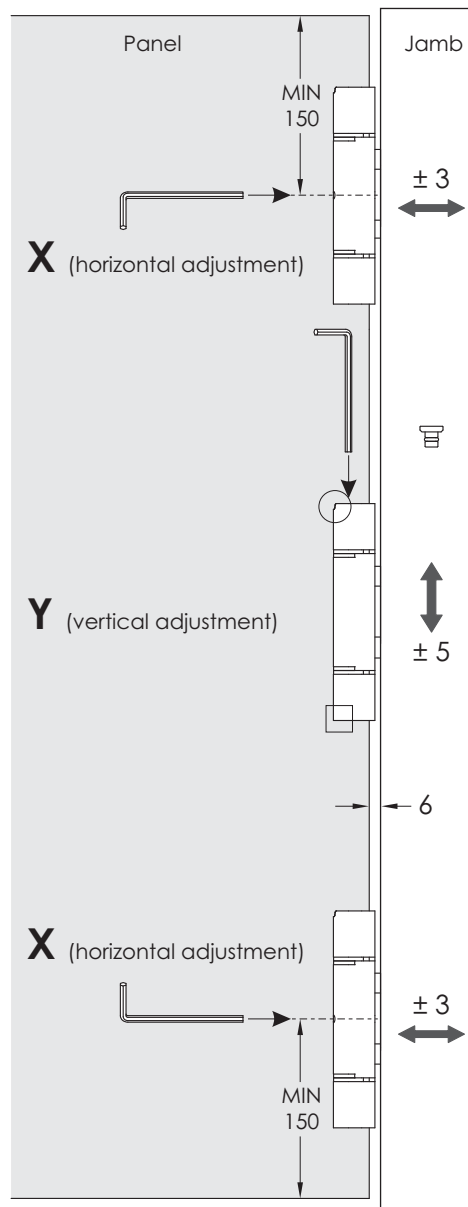
FIXINGS



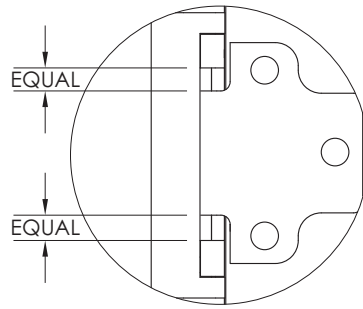
No. 12Gx32 Torx
Wood screw

Installation

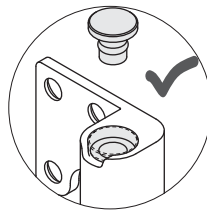
Position



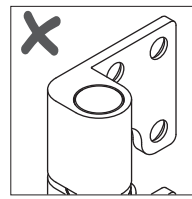
Important



All flags must be fixed central to ensure maximum adjustment



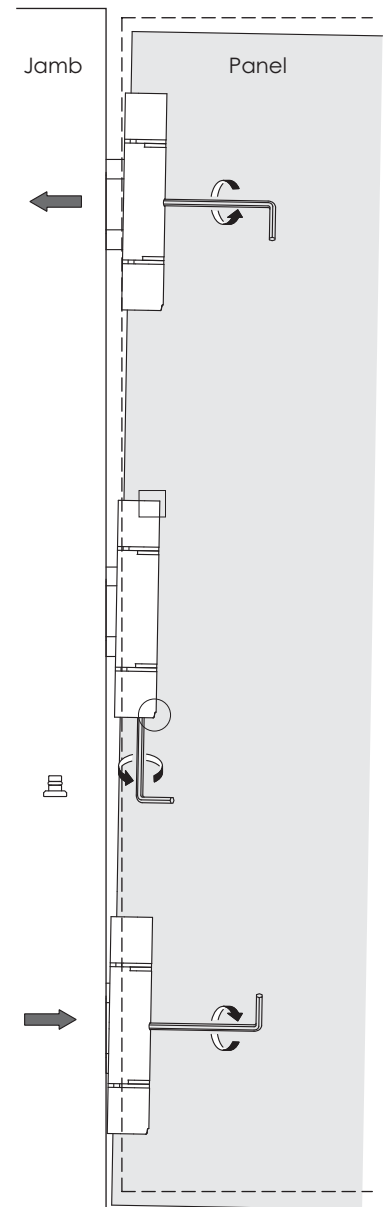
Access slot in flag for removable cap for middle hinge only



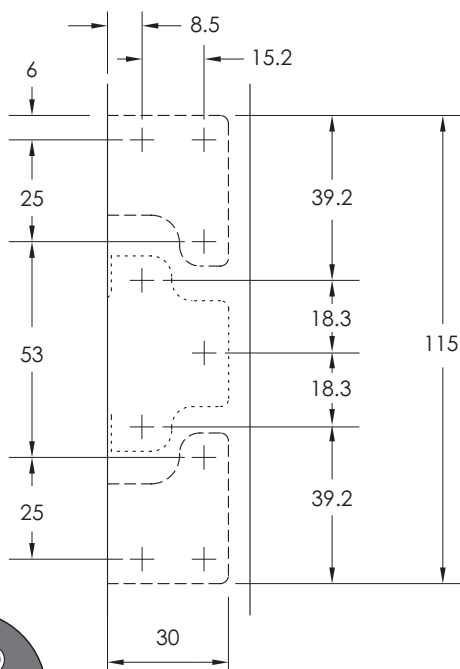
Not removable

Note
Hinges are non-handed.
Rotate hinges for opposite orientation

Adjustment

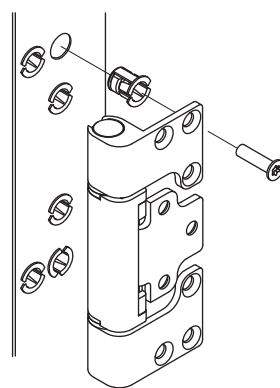


Hole Pattern

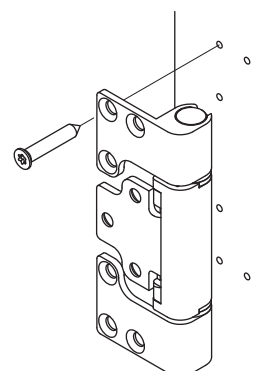


Alu Panel

Clearance hole $\varnothing 10.0\text{mm}$



Wood Panel
Pilot hole of $\varnothing 3.5\text{mm}$



4 hinge configuration

