

### Application

Brio's XY adjustable hinge is ideal for French Doors made of aluminium or timber in residential and commercial applications.

Discreet, surface fix design allows quick and easy installation and easy height adjustment without the need for removing the panel from the opening.

Hinge set can also be used on Weatherfold system pivot doors for hinge to jamb applications.

### Panel Specification

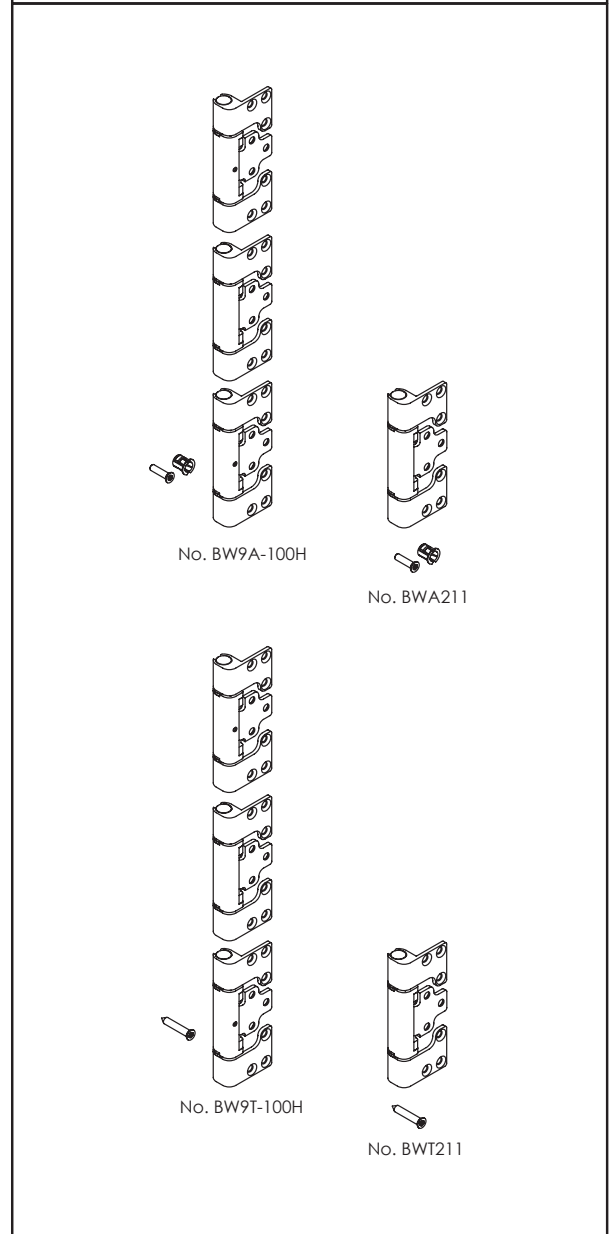
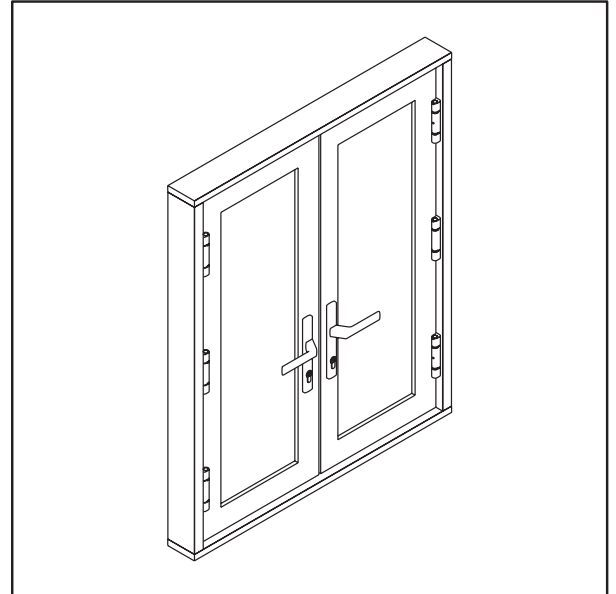
| Material            | Stainless Steel |
|---------------------|-----------------|
| Max Panel Height    | 3300mm          |
| Max Panel Weight    | 100kg           |
| Max Panel Width     | 1200mm          |
| Min Panel Thickness | 35mm            |

### Standard Sets

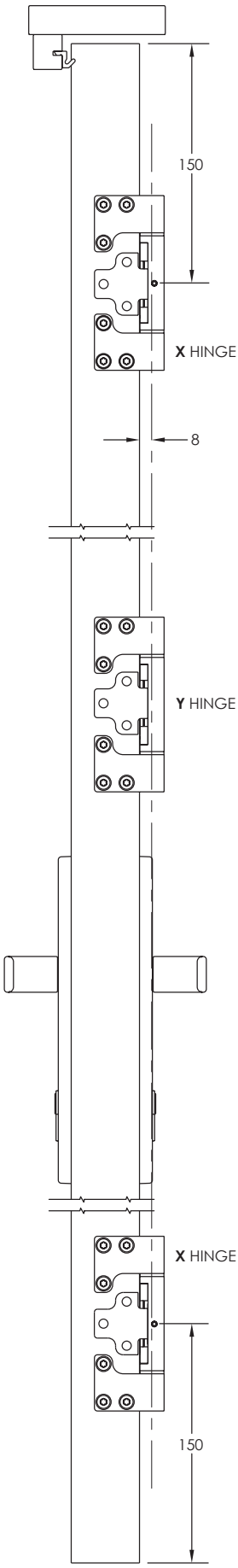
| Set No.   | Contents   |
|-----------|--|
| BW9A-100H | SS Vertical Hinge, 2 Horizontal Hinges with Alum. Fixings  |
| BW9T-100H | SS Vertical Hinge, 2 Horizontal Hinges with Timber Fixings |

### Individual Hinges

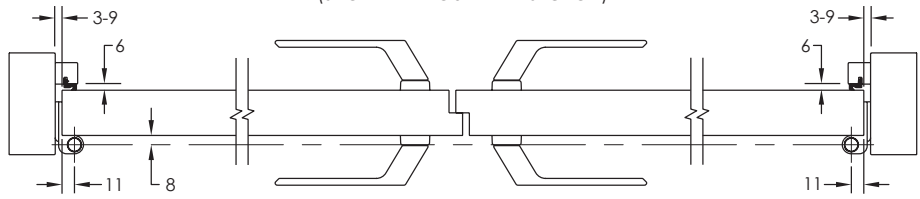
|         |                                       |
|---------|---------------------------------------|
| BWA211H | SS Vertical Hinge with Alum. Fixings  |
| BWT211H | SS Vertical Hinge with Timber Fixings |



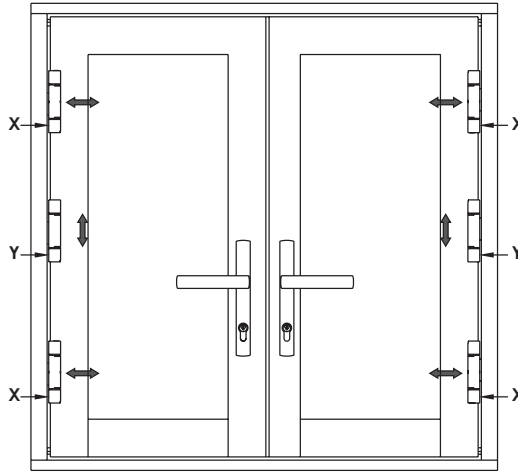
**FRENCH DOOR APPLICATION**



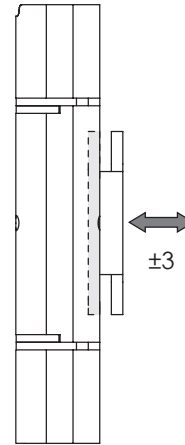
**FRENCH DOOR APPLICATION - CLOSED**  
(SHOWN WITHOUT HEAD SECTION)



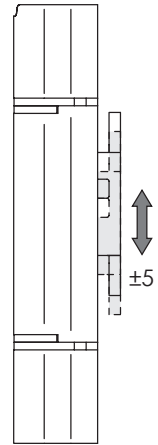
**FRENCH DOOR APPLICATION - CLOSED**  
(TYPICAL OUTSIDE ELEVATION)



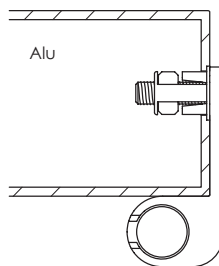
**X HINGE**  
HORIZONTAL  
ADJUSTMENT



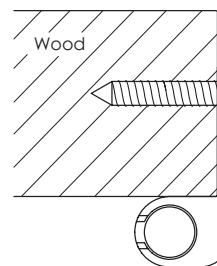
**Y HINGE**  
VERTICAL  
ADJUSTMENT



**FIXINGS**

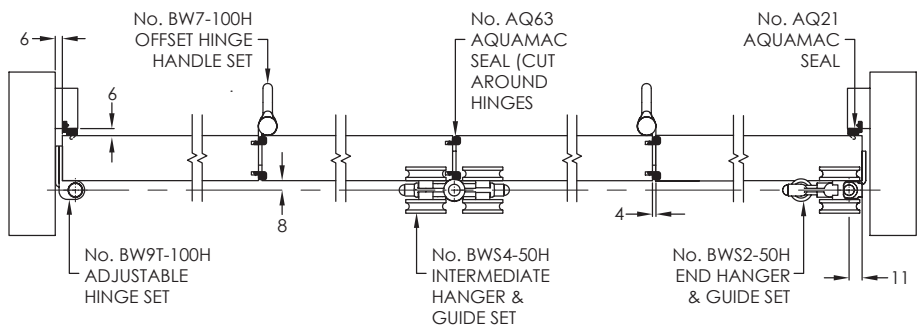


M5x20 Torx  
M5 Cage nut



12g Wood screw Torx

**WEATHERFOLD 4+0 PANEL OUTWARD OPENING SYSTEM - CLOSED**  
(SHOWN WITHOUT TRACK OR HEAD SECTION)



**WEATHERFOLD 4+0 PANEL OUTWARD OPENING SYSTEM - OPEN**  
(SHOWN WITHOUT HEAD SECTION)

