

### Application

Brio's Zero Clearance Glass is an ideal internal system for residential and commercial applications for easy operation of toughened glass panels.

Designed to achieve minimal clearances of just 3.5mm between top edge of the glazing rail and underside of the track.

Zero Clearance Glass 120 hangers are cast 316 stainless steel with precision bearings.

### Panel Specification

**Track System:**

For Individual Panels:

Max Panel Height	3000mm
Max Panel Width	1500mm
Max Panel Weight	120kg
Panel Thickness	10-12mm*

**Zero Clearance Glass 120**

\*(Applies to single panels, maximum panel thickness may vary for bi-passing panel applications)

### Standard Packs

Packs include hangers, door stops, glazing rail, glazing bead, guide and handle

**Pack No.**

ZG120-12/1  
ZG120-15/1

**Max Panel Width**

1200mm  
1500mm

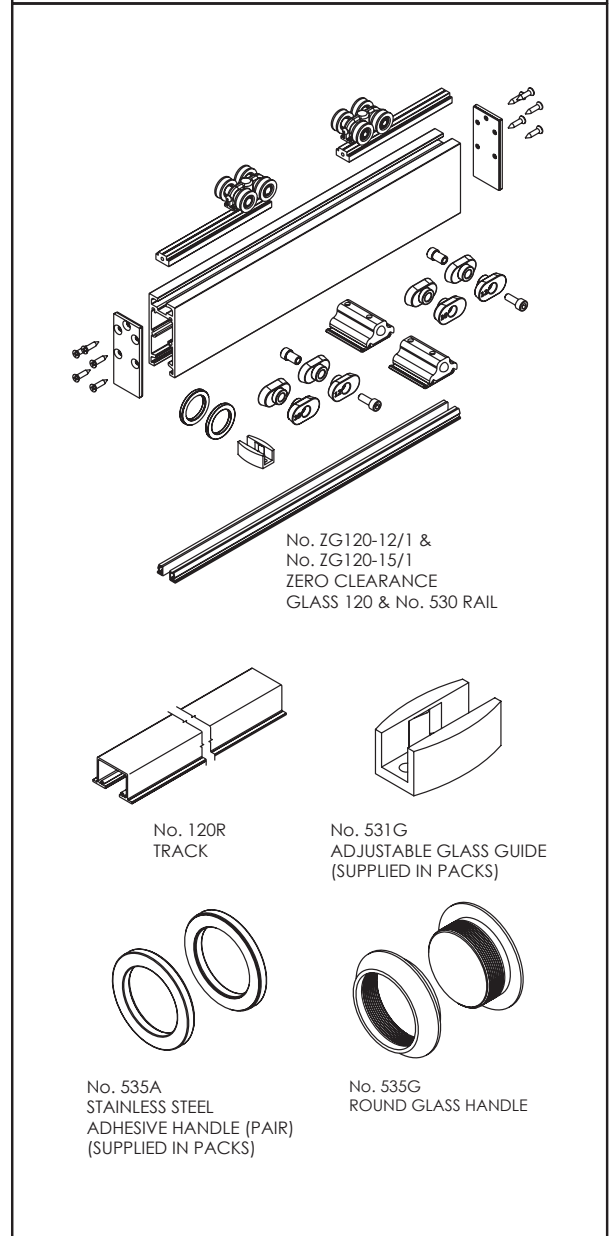
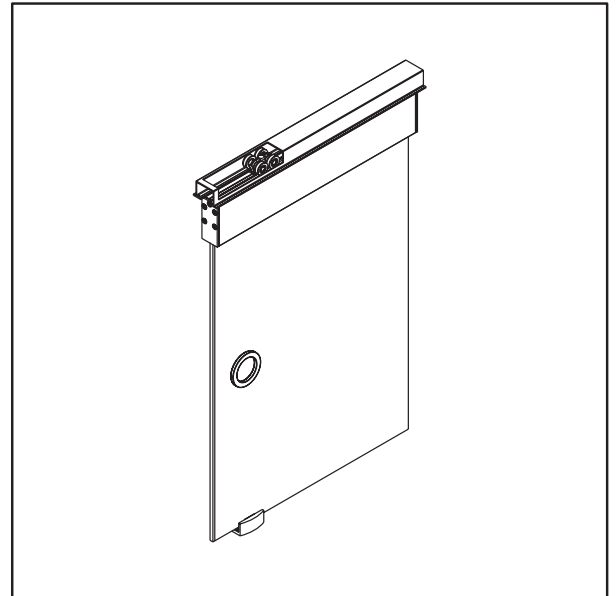
### Hardware Specification

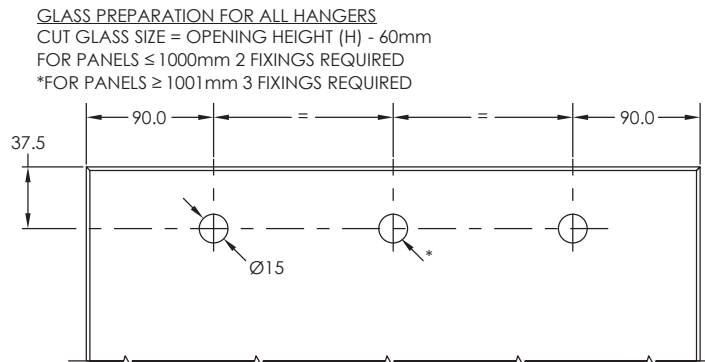
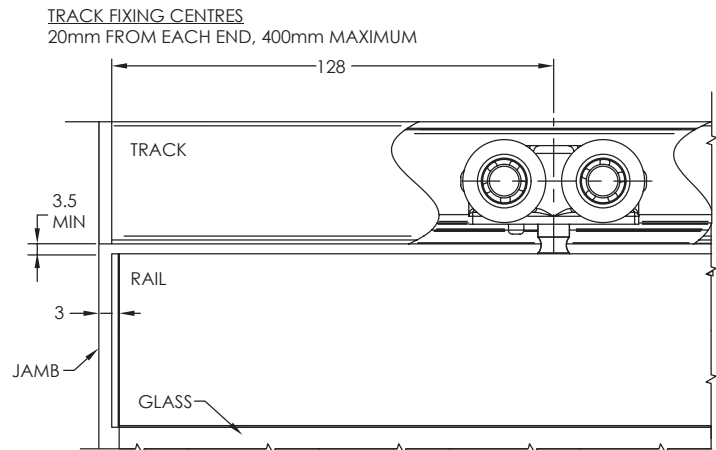
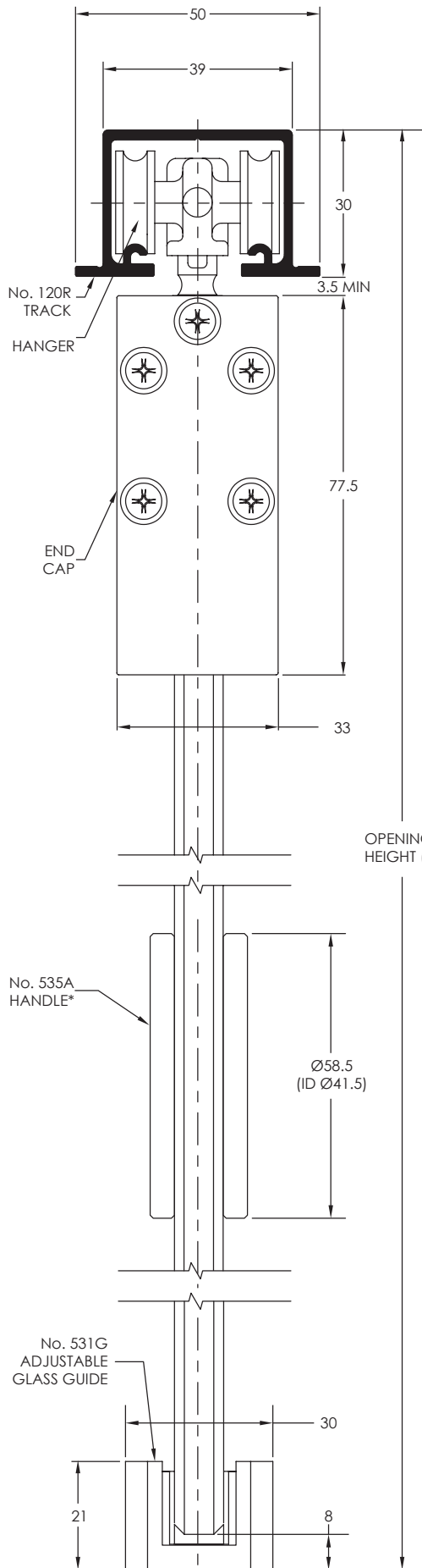
**Track:**

Material: 120A or 120R  
Aluminium Clear Anodised  
Standard lengths: 2000mm, 3000mm, 4000mm and 6000mm

**Accessories:**

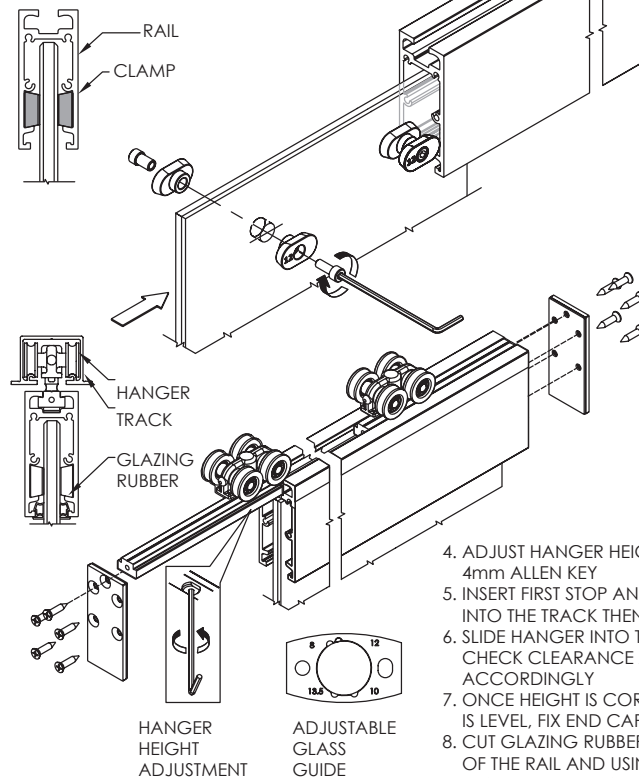
Handle: 535G





### INSTALLATION

1. CHOOSE FITTING FOR 10mm OR 12mm GLASS.
2. CLAMP INTO PRE-DRILLED HOLES USING 5mm ALLEN KEY
3. INSERT CLAMPS INTO RAIL



4. ADJUST HANGER HEIGHT USING 4mm ALLEN KEY
5. INSERT FIRST STOP AND HANGERS INTO THE TRACK THEN THE LAST STOP
6. SLIDE HANGER INTO THE RAIL. DOUBLE CHECK CLEARANCE AND ADJUST ACCORDINGLY
7. ONCE HEIGHT IS CORRECT AND PANEL IS LEVEL, FIX END CAPS ONTO THE RAIL
8. CUT GLAZING RUBBER TO THE LENGTH OF THE RAIL AND USING DETERGENT PUSH IN. APPLY BOTH SIDES
9. PREPARE GUIDE ACCORDING TO THICKNESS OF GLASS. FIX GUIDE TO OVERLAPPING AREA OF OPENING

\* FOR No. 535G ROUND GLASS HANDLE, MACHINE A Ø50 HOLE TO FIT HANDLE