

### Application

Designed to achieve minimal clearances of just 4.5mm between the top edge of the panel and underside of the track concealing all moving parts.

Ideally suited for floor to ceiling straight sliding timber panels in both residential and commercial applications.

Zero Clearance 180 hangers are cast 316 stainless steel with precision bearings suitable for both interior and exterior applications.

### Panel Specification

**Track System:**

For Individual Panels:  
 Max Panel Height  
 Max Panel Weight  
 Min Panel Thickness

**Zero Clearance 180**

3000mm  
 180kg  
 40mm\*

\*(Applies to single panels, maximum panel thickness may vary for bi-passing panel applications)

For ease of operation it is recommended that the panel width should not exceed 75% of panel height.

Timber panels for interior use can be flush construction or glazed.

### Hardware Specification

**Track:**

Material 180A  
 Finish Aluminium  
 Standard lengths Clear anodised  
 2000mm, 3000mm, 4000mm, 5000mm and 6000mm.

**Hangers:**

Timber panels 61/GN Stainless Option  
 61SS/GN

Hanger supplied with timber screws, fixing plate and nylon tyred precision bearings. Vertical adjustment is simple and positive. Nylon tyre wheel hangers should not be used on installations involving temperatures exceeding 80°C.

**Guides:**

Timber panels - SS plate fitting 106RB/94  
 Multiple panels - bearing 106A/94  
 Multiple panels - T slot 106AT

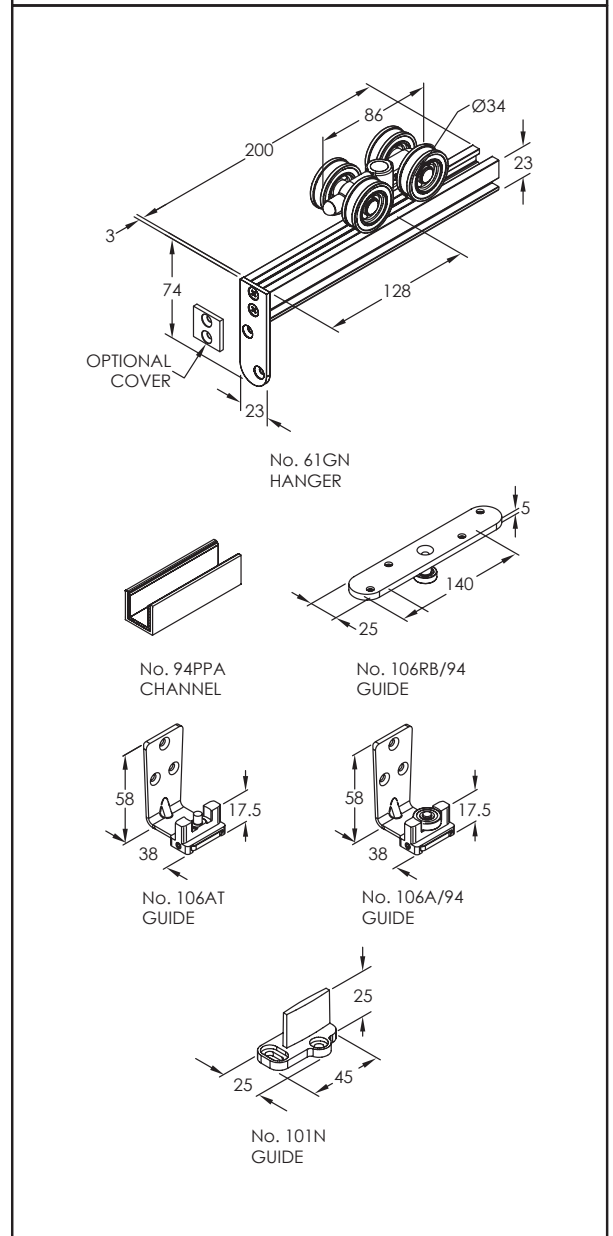
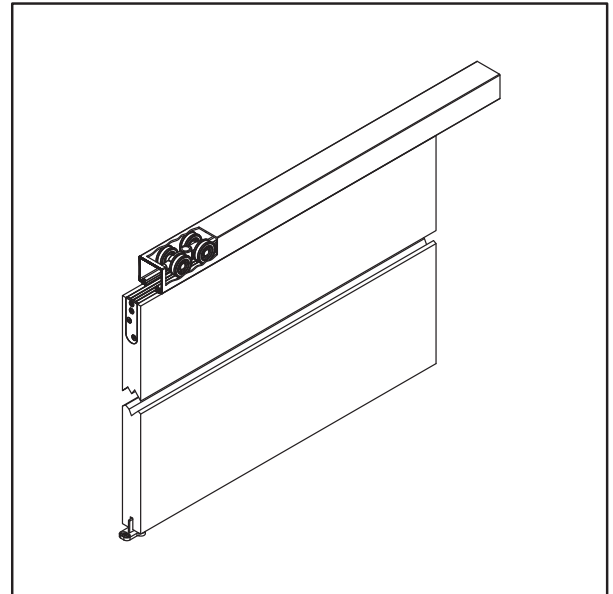
**Channels:**

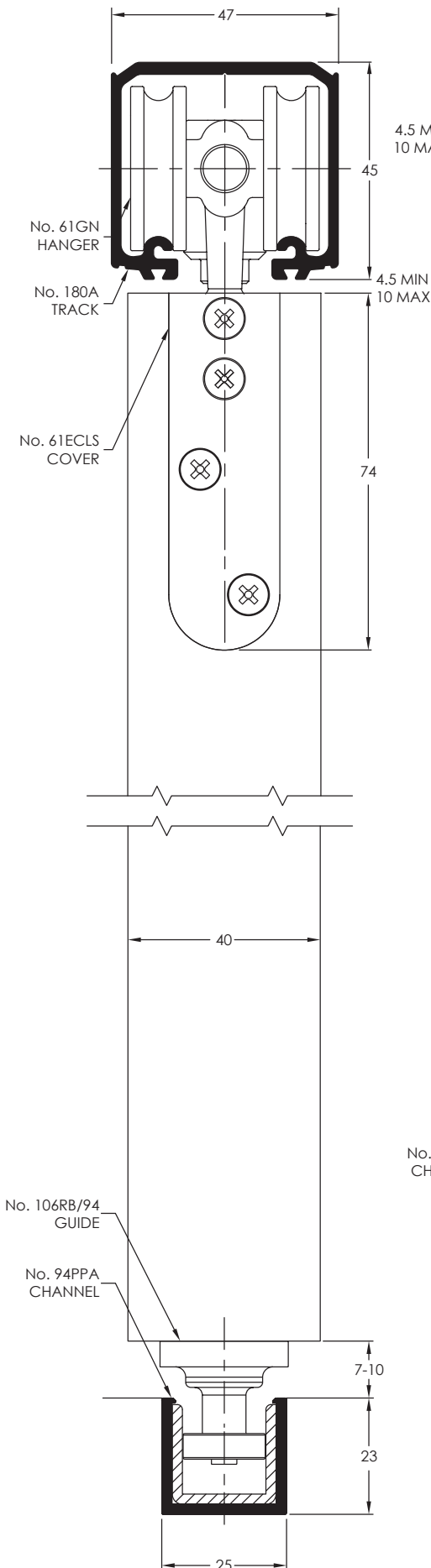
Aluminium 94A Clear anodised  
 96W Clear anodised  
 Standard lengths 2000mm, 3000mm, 4000mm and 6000mm  
 Aluminium Polypropylene 94PPA Clear anodised  
 Standard lengths 2000mm, 3000mm, 4000mm, 5000mm and 6000mm.

**Accessories:**

Door Collector - multiple panels 924-DC  
 Door Stop 180DS  
 Flush Pulls 401  
 Flush Bolts 456

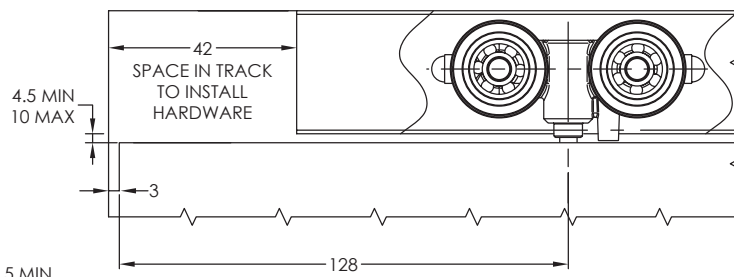
Flush bolts and flush pulls are available in (PVDB) PVD Brass, (SN) Satin Nickel & (PN) Polished Nickel





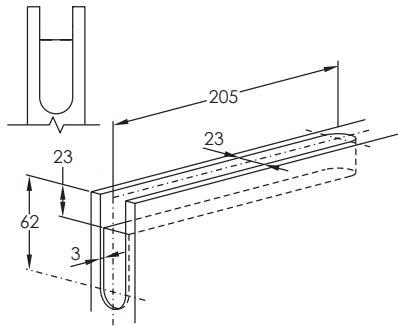
### TRACK FIXING CENTRES

35mm FROM EACH END, THEN FIX AT 400mm INTERVALS

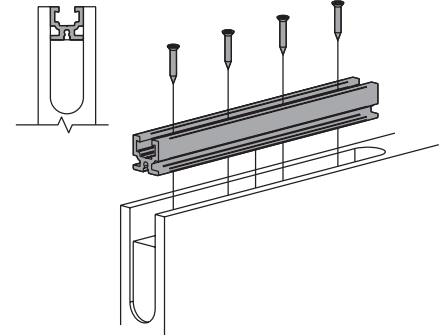


### PANEL PREPARATION AND INSTALLATION

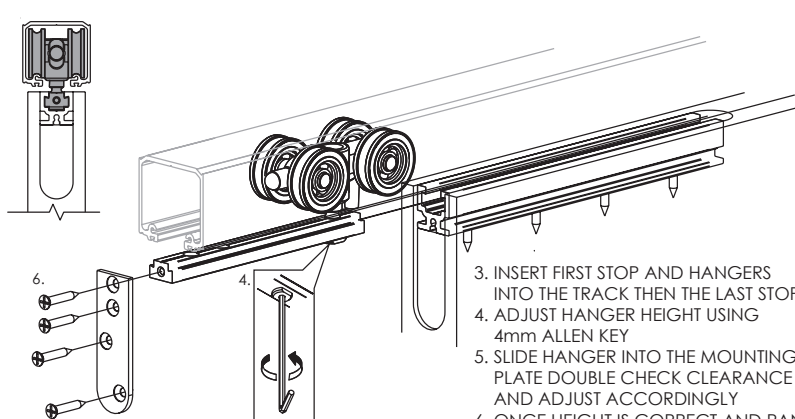
1. PREPARE PANEL FOR MOUNTING PLATE.



2. FIT MOUNTING PLATE WITH SCREWS SUPPLIED



### ASSEMBLY



### GUIDE OPTION

