

Application

Brio's Zero Clearance Glass is an ideal internal system for residential and commercial applications for easy operation of toughened glass panels.

Designed to achieve minimal clearances of just 2.5mm between top edge of the glazing rail and underside of the track.

Zero Clearance Glass 100 hangers are equipped with precision bearings.

Panel Specification

Track System:

For Individual Panels:
 Max Panel Height
 Max Panel Width
 Max Panel Weight
 Panel Thickness

Zero Clearance Glass 100

3000mm
 1500mm
 100kg
 10-12mm*

*(Applies to single panels, maximum panel thickness may vary for bi-passing panel applications)

Standard Packs

Packs include hangers, door stops, glazing rail, glazing bead, guide and handle

Pack No.

ZG100-12/1
 ZG100-15/1

Max Panel Width

1200mm
 1500mm

Hardware Specification

Track:

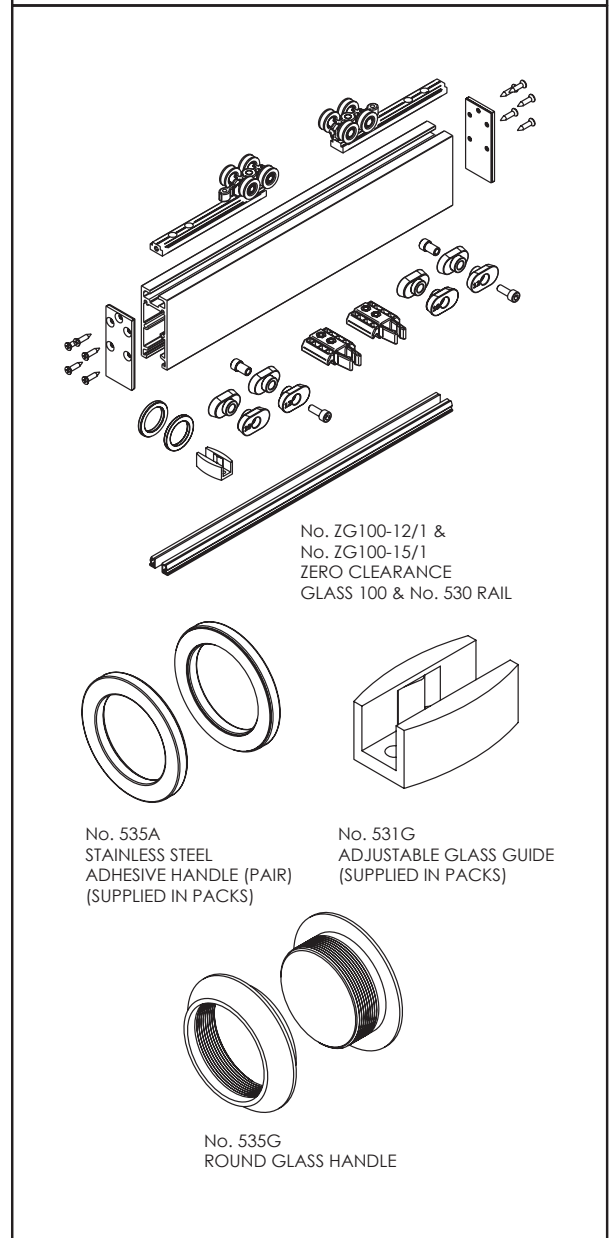
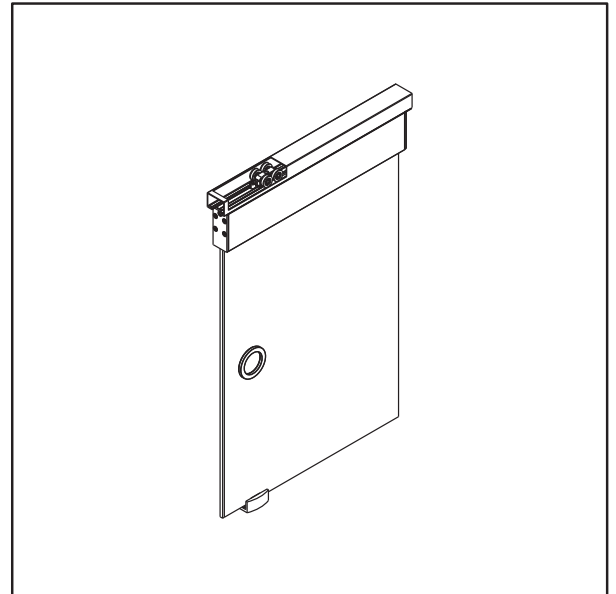
Material
 Standard lengths

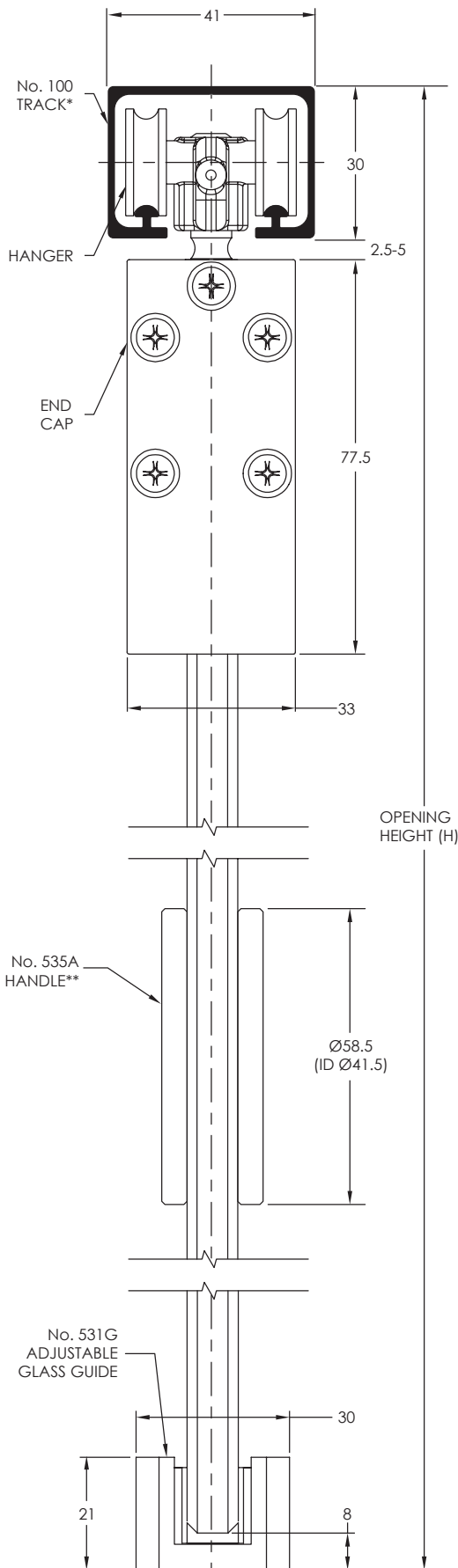
100
 Aluminium clear anodised
 2000mm, 3000mm, 4000mm and 6000mm

Accessories:

Handle
 Soft Close
 Clip Stop

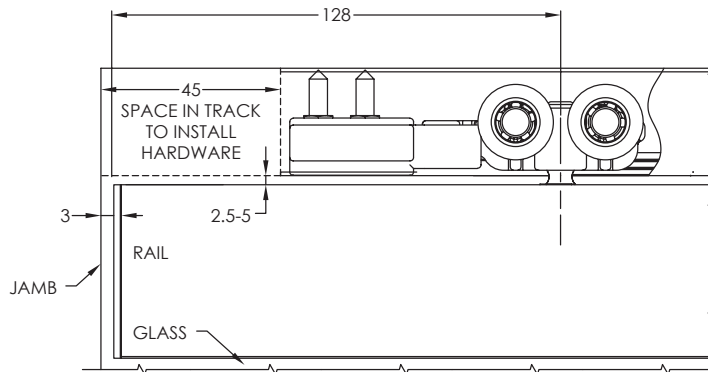
535G
 100SCT
 100CS





TRACK FIXING CENTRES

35mm FROM EACH END, 400mm MAXIMUM

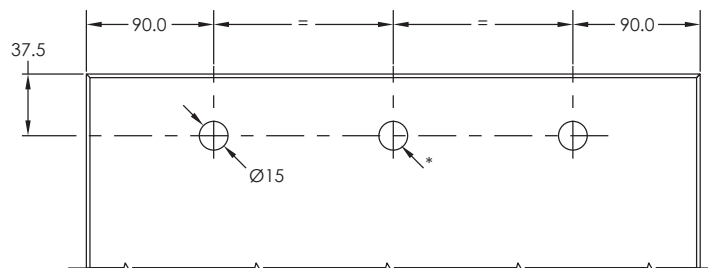


GLASS PREPARATION FOR ALL HANGERS

CUT GLASS SIZE = OPENING HEIGHT (H) - 60mm

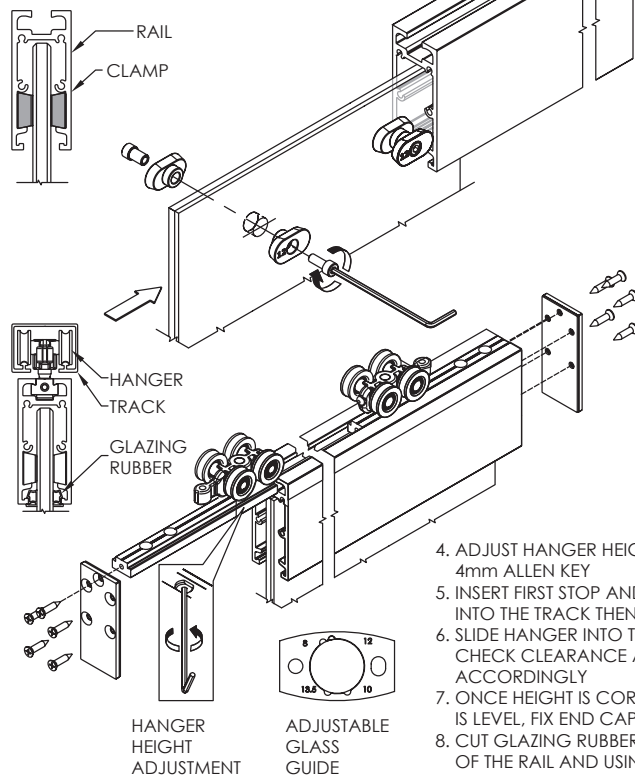
FOR PANELS ≤ 1000mm 2 FIXINGS REQUIRED

*FOR PANELS ≥ 1001mm 3 FIXINGS REQUIRED



INSTALLATION

1. CHOOSE FITTING FOR 10mm OR 12mm GLASS.
2. CLAMP INTO PRE-DRILLED HOLES USING 5mm ALLEN KEY
3. INSERT CLAMPS INTO RAIL



4. ADJUST HANGER HEIGHT USING 4mm ALLEN KEY
5. INSERT FIRST STOP AND HANGERS INTO THE TRACK THEN THE LAST STOP
6. SLIDE HANGER INTO THE RAIL. DOUBLE CHECK CLEARANCE AND ADJUST ACCORDINGLY
7. ONCE HEIGHT IS CORRECT AND PANEL IS LEVEL, FIX END CAPS ONTO THE RAIL
8. CUT GLAZING RUBBER TO THE LENGTH OF THE RAIL AND USING DETERGENT PUSH IN. APPLY BOTH SIDES
9. PREPARE GUIDE ACCORDING TO THICKNESS OF GLASS. FIX GUIDE TO OVERLAPPING AREA OF OPENING

* WHEN USING No. 100SCT SOFT CLOSE, No. 100 TRACK MUST BE ANODISED

** FOR No. 535G ROUND GLASS HANDLE, MACHINE A Ø50 HOLE TO FIT HANDLE