

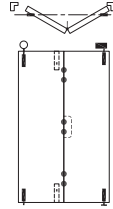
This Guide to Quantities is only applicable to Data Sheets D240.2.

### Specification for Individual Panels

Track System	<b>Interfold 50</b>
Max Panel Height	3000mm
Max Panel Weight	50kg
Max Panel Width	1000mm
Min Panel Thickness	35mm
Max Number of Panels	8 each direction

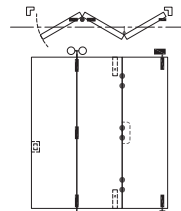
#### 2 Panel Unit

	Quantities	Product Codes
Track	1	180A-A20
Pivot Set	1	BWS1F-75H
Hinge Handle Set	1	BW3-100H
End Hanger Set	1	BWS2F-50CH
Guide	1	94PPA-A20
Flush Bolt Top	1	456
Flush Bolt Bottom	2	456E



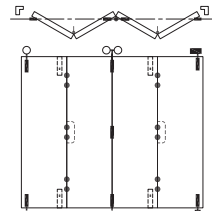
#### 3 Panel Unit

	Quantities	Product Codes
Track	1	180A-A30
Pivot Set	1	BWS1F-75H
Offset Hinge Handle Set	1	BW7-100H
Intermediate Hanger Set	1	BWS4-50CH
Guide	1	94PPA-A30
Flush Pull	1	401
Flush Bolt Top	2	456
Flush Bolt Bottom	2	456E



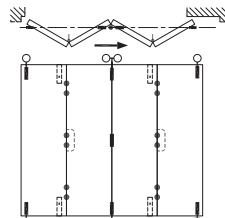
#### 4 Panel Unit

	Quantities	Product Codes
Track	1	180A-A40
Pivot Set	1	BWS1F-75H
Offset Hinge Handle Set	2	BW7-100H
Intermediate Hanger Set	1	BWS4-50CH
End Hanger Set	1	BWS2-50CH
Guide	1	94PPA-A40
Flush Bolt Top	2	456
Flush Bolt Bottom	2	456E



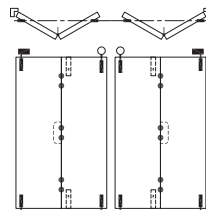
#### 4 Panel Unit Floating

	Quantities	Product Codes
Track	1	180A-A40
Offset Hinge Handle Set	2	BW7-100H
Intermediate Hanger Set	1	BWS4-50CH
End Hanger Set	2	BWS2-50CH
Guide	1	94PPA-A40
Flush Bolt Top	2	456
Flush Bolt Bottom	2	456E



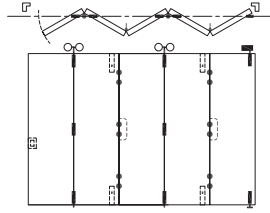
#### 2+2 Panel Unit

	Quantities	Product Codes
Track	1	180A-A40
Pivot Set	2	BWS1F-75H
Hinge Handle Set	2	BW3-100H
End Hanger Set	2	BWS2-50CH
Guide	1	94PPA-A40
Flush Bolt Top	2	456
Flush Bolt Bottom	2	456E



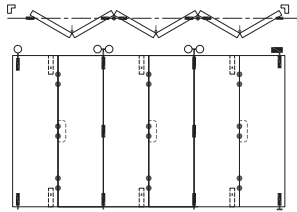
### 5 Panel Unit

	Quantities	Product Codes
Track	1	180A-A60
Pivot Set	1	BWS1F-75H
Hinge Handle Set	1	BW3-100H
Offset Hinge Handle Set	1	BW7-100H
Intermediate Hanger Set	2	BWS4-50CH
Guide	1	94PPA-A60
Flush Pull	1	401
Flush Bolt Top	3	456
Flush Bolt Bottom	3	456E



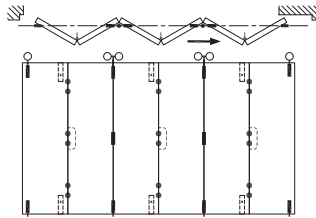
### 6 Panel Unit

	Quantities	Product Codes
Track	1	180A-A60
Pivot Set	1	BWS1F-75H
Hinge Handle Set	1	BW3-100H
Offset Hinge Handle Set	2	BW7-100H
Intermediate Hanger Set	2	BWS4-50CH
End Hanger Set	1	BWS2-50CH
Guide	1	94PPA-A60
Flush Bolt Top	3	456
Flush Bolt Bottom	3	456E



### 6 Panel Unit Floating

	Quantities	Product Codes
Track	1	180A-A60
Hinge Handle Set	1	BW3-100H
Offset Hinge Handle Set	2	BW7-100H
Intermediate Hanger Set	2	BWS4-50CH
End Hanger Set	2	BWS2-50CH
Guide	1	94PPA-A60
Flush Bolt Top	3	456
Flush Bolt Bottom	3	456E



## Application

For residential and commercial interior folding panels that close against rebate.

Interfold 50 hardware is suitable for timber systems, with all panels of equal width.

Specifically designed for applications where sound and light proofing is required.

Interfold 50 hangers are cast 316 marine grade stainless steel with precision chrome bearings and nylon outer tyres.

## Panel Specification

Track System:	Interfold 50
Max Panel Height	3000mm
Max Panel Weight	50kg
Max Panel Width	1000mm
Min Panel Thickness	35mm

Units of up to six panels can be pivoted to each side of the opening. Units with an odd number of panels provide an access panel.

Panels should be constructed to provide secure fitting for the pivot, hanger and hinge sets. Sets include timber screws.

## Hardware Specification

Top Guide Channel:	180A
Material	Aluminium
Finish	Clear Anodised
Standard Lengths	2000mm, 3000mm, 4000mm, 5000mm and 6000mm

Bottom Guide Channel:	94PPA
Recessed	94PPA
Material	Polypropylene with Aluminium Support
Finish	Clear Anodised
Standard Lengths	2000mm, 3000mm, 4000mm, 5000mm and 6000mm

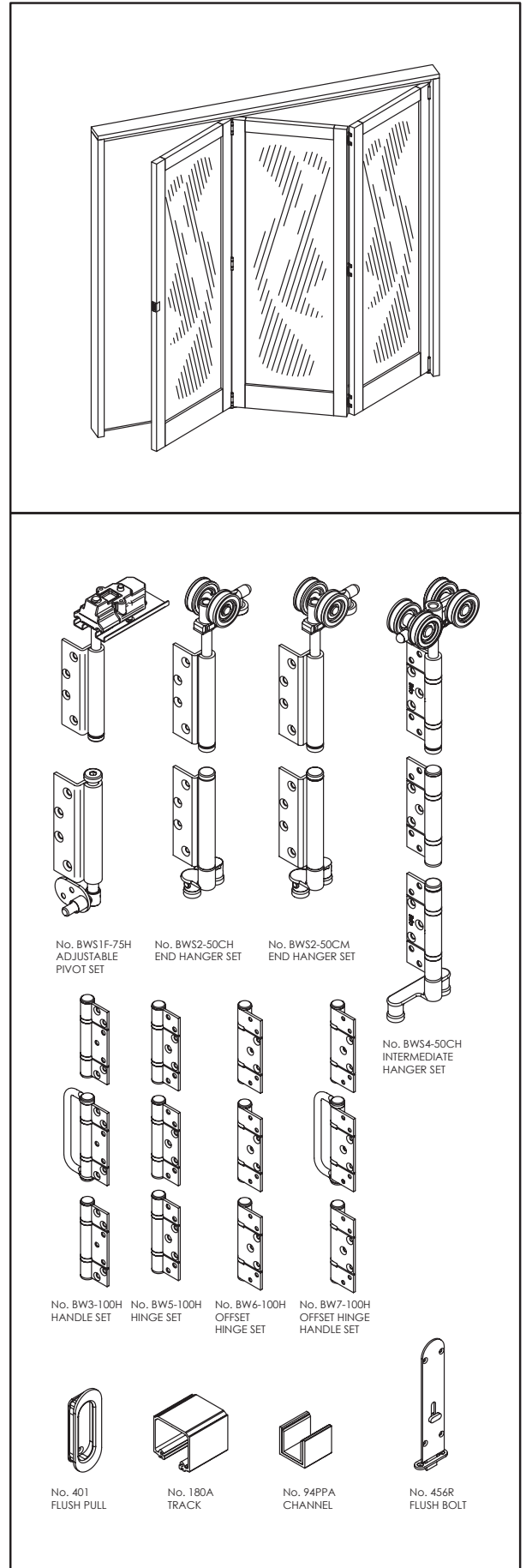
Hanger Sets:	
End Hanger Set	Includes Hanger and Guide BWS2-50CH
Intermediate Hanger Set	Includes Hanger, Guide and Hinge BWS4-50CH

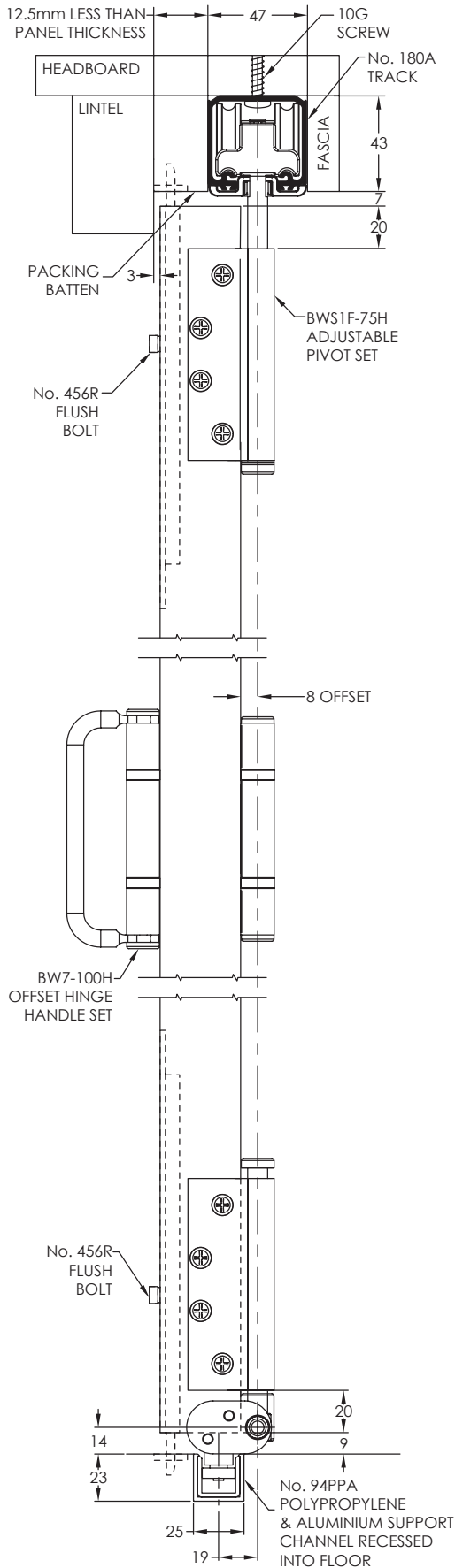
Pivot Set:	BWS1F-75H
Top and Bottom Pivots	BWS1F-75H

Hinge Sets:	
Hinge Handle Set	BW3-100H
Offset Hinge Handle Set	BW7-100H
Hinge Set	BW5-100H
Offset Hinge Set	BW6-100H

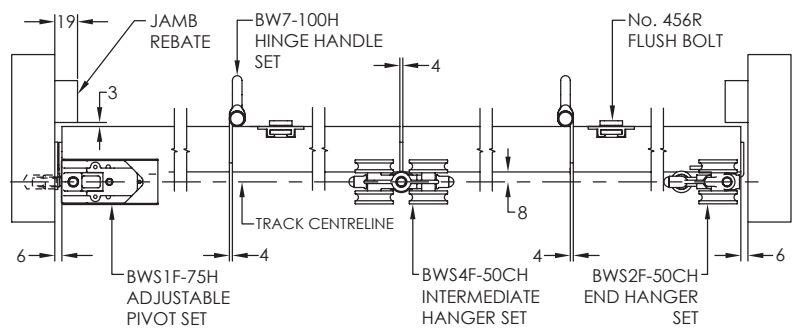
Accessories:	
Flush Pull	401
Flush Bolt Standard	456
Flush Bolt Lockable	456E
Flush Bolt Long	456L

**Finish options**  
 Hardware: (SS) Satin Stainless, (PS) Polished Stainless  
 Flush Bolts: (SN) Satin Nickel, (PN) Polished Nickel

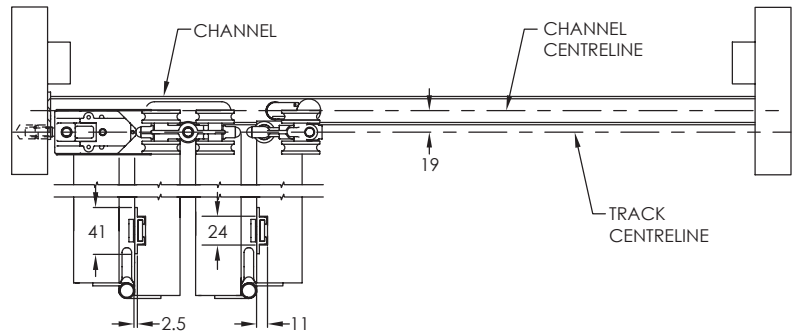




4+0 PANEL OUTWARD OPENING SYSTEM - CLOSED  
(SHOWN WITHOUT TRACK, CHANNEL OR HEAD SECTION)



4+0 PANEL OUTWARD OPENING SYSTEM - OPEN  
(SHOWN WITHOUT TRACK, SILL OR HEAD SECTION)



4+0 PANEL OUTWARD OPENING SYSTEM - CLOSED  
(TYPICAL OUTSIDE ELEVATION)

